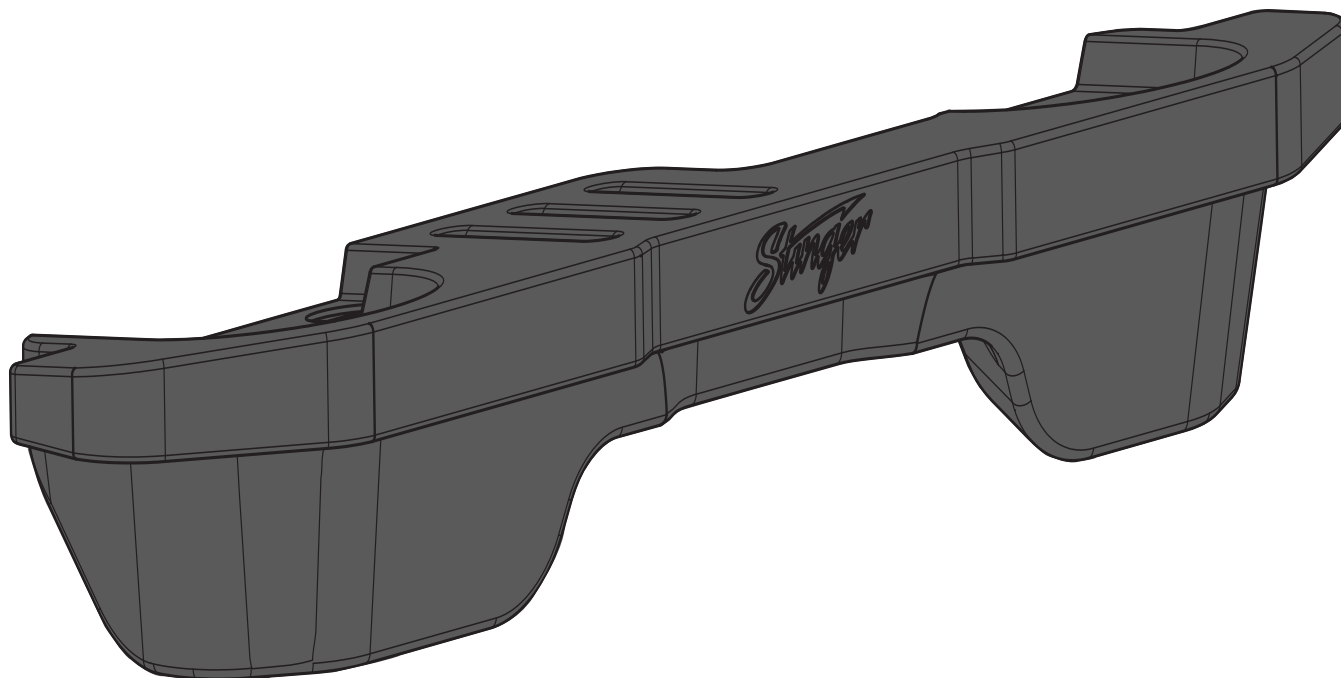




Dual 10" Under Seat Subwoofer Enclosure
For Ram 1500 Quad (2002-2018), 1500 Crew Cab (2009-2018)
Ram 1500 Classic Quad/Crew Cab (2019-newer)
Ram 2500/3500 Quad Cab (2003-newer)
Ram 2500/3500 Crew Cab (2009-newer)



INSTALLATION GUIDE

NOTE! Read this installation guide thoroughly before disassembling or modifying the vehicle. Installation of this product requires technical skill, experience and specialized tools. If in doubt, it's recommended to have it professionally installed by an authorized Stinger or AudioControl Dealer.

A video installation guide is available at:

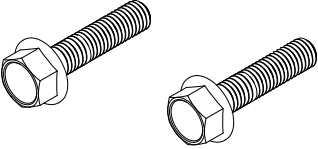
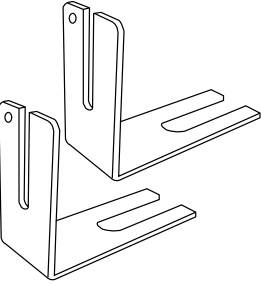
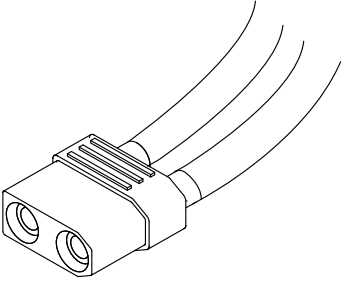


INSTALLATION NOTES

The TXRM02D10 is designed to mount under the rear seat of specific Ram Trucks that are NOT equipped with a power rear seat.

- Some installation steps are more easily completed with a second person.
- Speaker wire is required.
- Final enclosure impedance: 2ohms.
- Recommended amplifier rating: 400-1,000 watts @ 2ohms.

INCLUDED HARDWARE

1	2	3
		
10mm M6 FLANGED HEX HEAD BOLT (4) 75mm / 2.95in Length	ENCLOSURE MOUNTING BRACKETS (2)	QUICK-PLUG SPEAKER CONNECTOR (1)

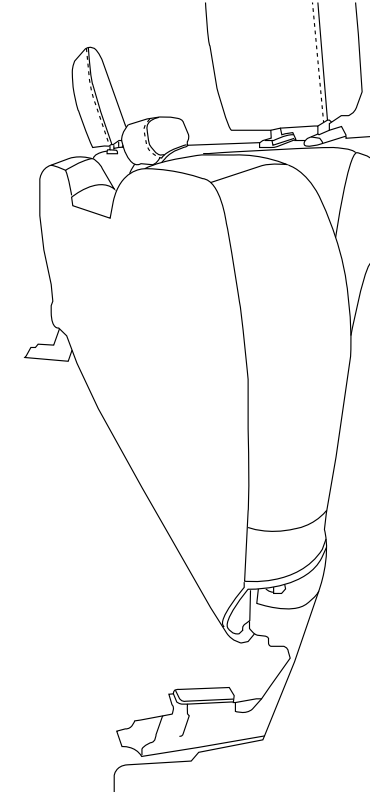
RECOMMENDED TOOLS

Ratchet
 18mm Socket
 10mm Socket
 12mm Socket
 Wire Strippers
 Optional:
 Wire Crimper
 Solder/Solder Gun

INSTALLATION

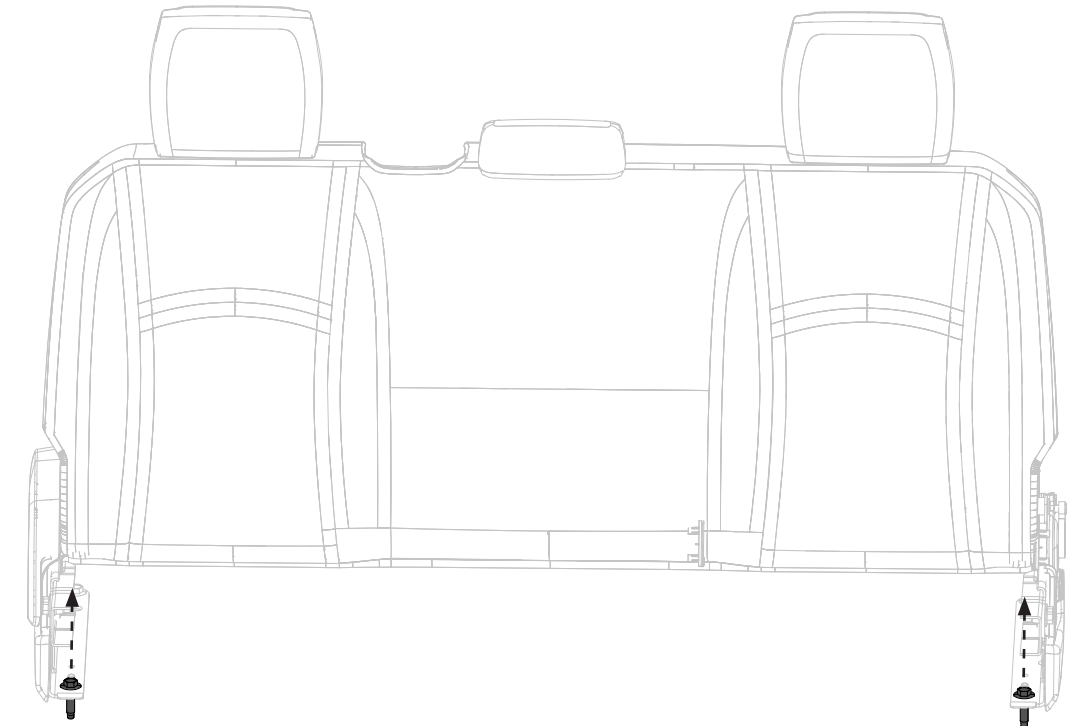
Step 1

Lift up the rear seat to expose the under seat storage compartment.
 Clean out any debris or items that may be located in this compartment.



Step 2

Remove two forward most 18mm factory rear seat bolts.



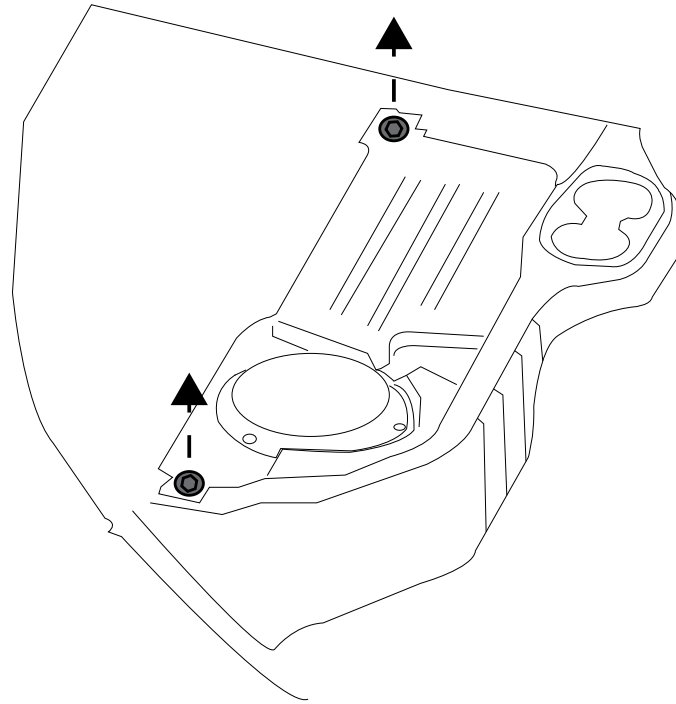
INSTALLATION

Step 2A (if equipped)

If vehicle is equipped with a factory subwoofer under the passenger side rear seat, remove the two 18mm factory rear seat bolts that secure the factory subwoofer enclosure.

Disconnect subwoofer enclosures wire harness and remove Factory enclosure.

Reinstall 18mm bolt to center mounting location.



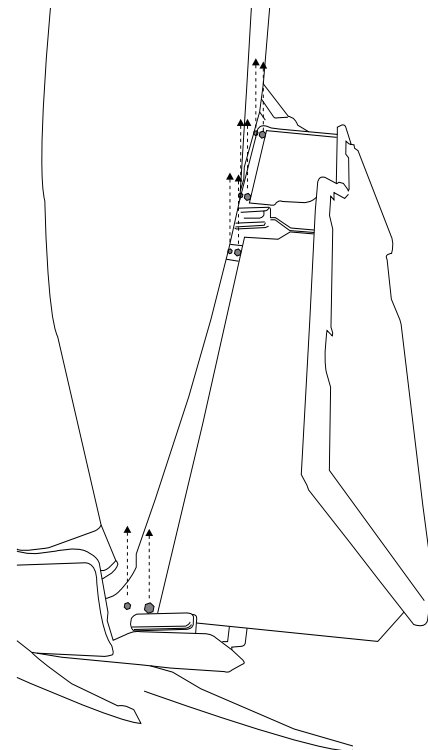
Step 2B (if equipped)

If vehicle is equipped with fold flat floors, they will need to be removed to complete installation.

The floor panels are held in by four 18mm factory bolts and four 12mm nuts. Remove all eight nuts & bolts and remove fold flat floor panels.

Reinstall factory nuts to the factory threaded studs to complete. Center most 18mm bolts can also be reinstalled.

Do not reinstall outer most 18mm bolts. These will be reinstalled in step 6.



INSTALLATION

Step 3

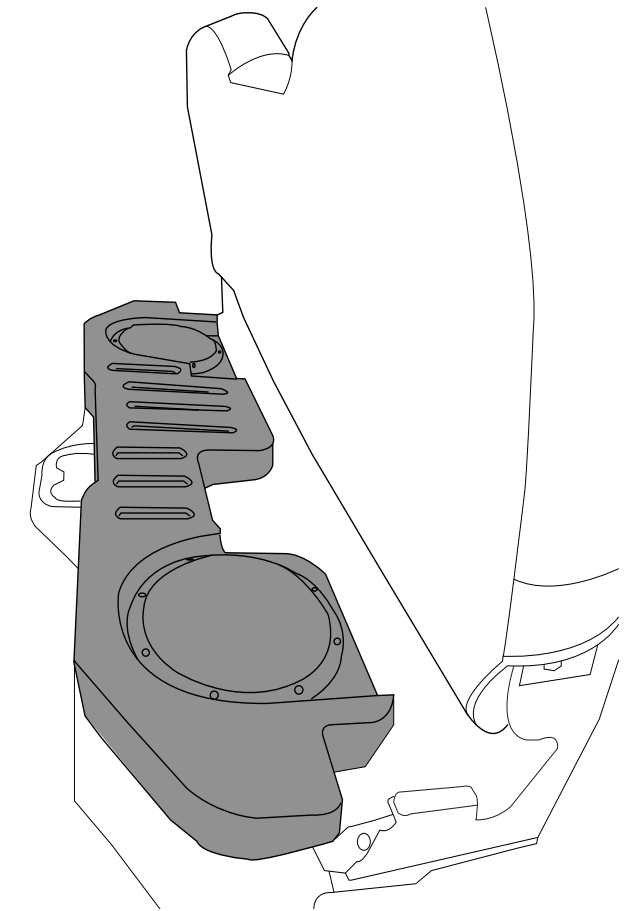
Place the speaker enclosure in the vehicle with the rear of the enclosure facing the back seat.

Verify that the enclosure is centered. The enclosure can be slid left or right before mounting if needed.

Route speaker wire to the rear of the enclosure and connect using either the Push Terminals or the Quick-Plug connector.

Red = Positive (+)
Black = Negative (-)

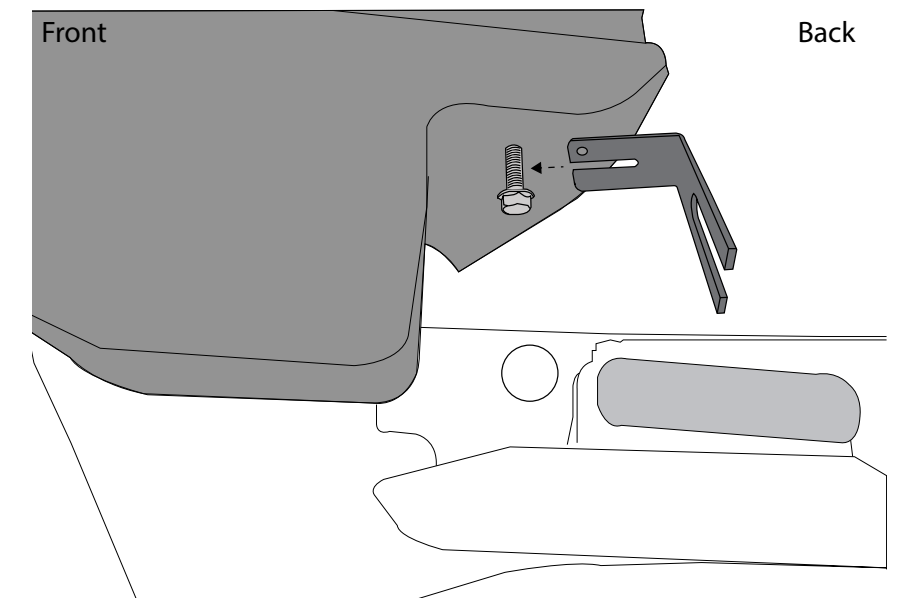
NOTE: Do not connect speaker leads to both of the enclosure connections. Use one or the other.



Step 4

Turn bracket to the side and slide U shaped cut out of bracket under the M6 enclosure mounting bolt.

Note: The side of the bracket that mounts to the enclosure will be marked by a small through hole in the top corner.



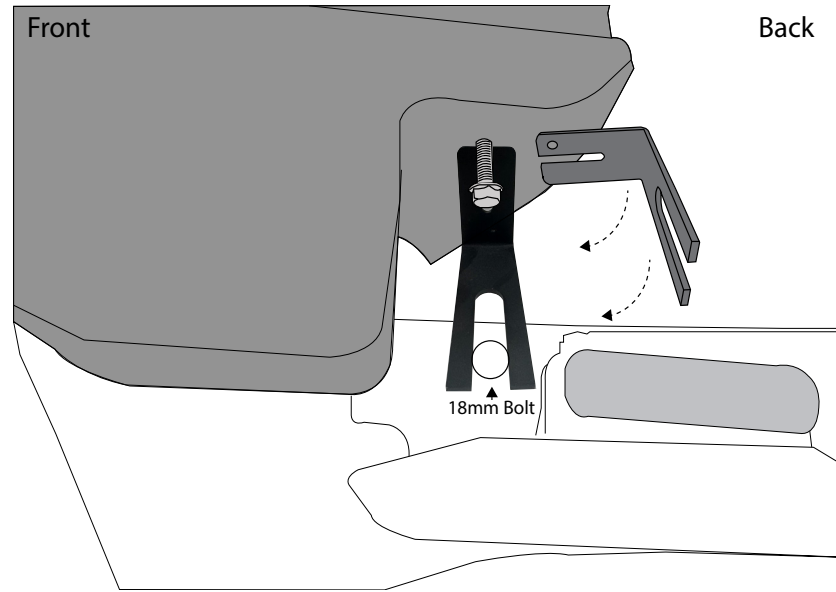
INSTALLATION

Step 5

Turn bracket so U shaped cut out, that mounts to the enclosure, faces upwards.

Ensure that the vehicle side of mounting bracket aligns with the factory 18mm seat bolt hole.

Tighten 10mm enclosure mounting bolt to the enclosure.

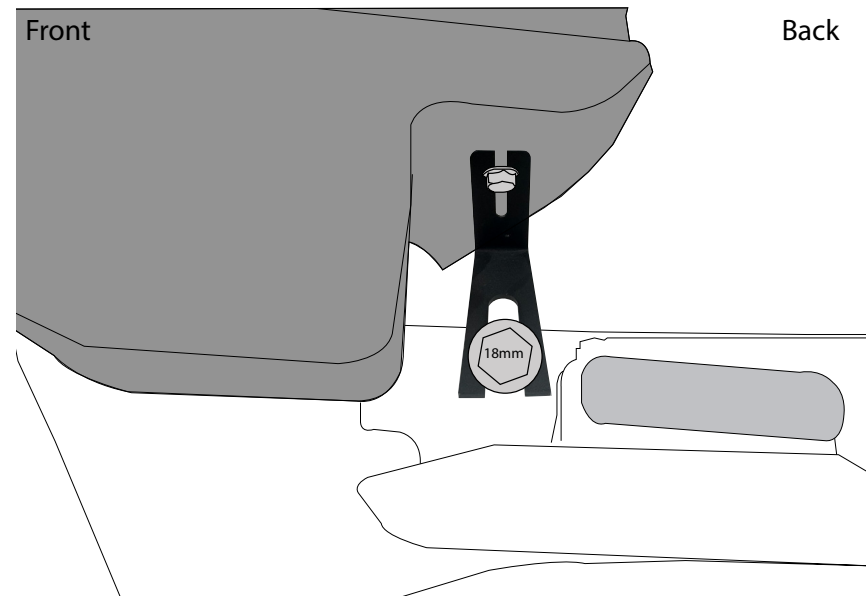


Step 6

Reinstall Factory 18mm bolt to seat mounting location.

Repeat steps 4-6 for opposite side of the enclosure.

Turn up the music and enjoy!



SPECIFICATIONS

Model Number	TXRM02D10
Speaker Model	SPC-10S4 (x2)
Subwoofer Size	Dual 10"
Voice Coil	Single 4 ohm
Sensitivity 1W/M (SPL)	86 dB
Frequency Response	20Hz - 250Hz
RMS Power	Min 400w - Ideal 800w -Max 1200w
Enclosure Specifications	
Total Weight	45.6 lbs
Height	9.93 In
Width	57.87 In
Depth	13.44 In

WARRANTY

Limited Warranty

Stinger warrants this product to be free of defects in materials and workmanship for a period of one (1) year from the original date of purchase. This warranty is not transferable and applies only to the original purchaser from an authorized Stinger dealer in the United States of America only. Should service be necessary under this warranty for any reason due to manufacturing defect or malfunction, Stinger will (at its discretion), repair or replace the defective product with new or remanufactured product at no charge. Damage caused by the following is not covered under warranty: accident, misuse, abuse, product modification or neglect, failure to follow installation instructions, unauthorized repair attempts, misrepresentations by the seller. This warranty does not cover incidental or consequential damages and does not cover the cost of removing or reinstalling the unit(s). Cosmetic damage due to accident or normal wear and tear is not covered under warranty.

INTERNATIONAL WARRANTIES:

Products purchased outside the United States of America are covered only by that country's Authorized Stinger reseller and not by Stinger. Consumers needing service or warranty information for these products must contact that country's reseller for information.



AudioControl

For more information about this fine product, and for technical questions, additional details of the limited warranty and repair services, please visit www.audiocontrol.com

AudioControl – “a Stinger Company”

9620 Executive Center Dr N, Suite 200

St Petersburg, FL 33702

Mobile audio support:

Phone: 425-777-7723

Email: support@audiocontrolmobile.com

As Technology advances, AudioControl reserves the right to continuously change our specifications.

© 2024 Stinger. All rights reserved. AudioControl is a Stinger

Technical Support

Phone: 727-592-5991

Email: support@stingersolutions.com