



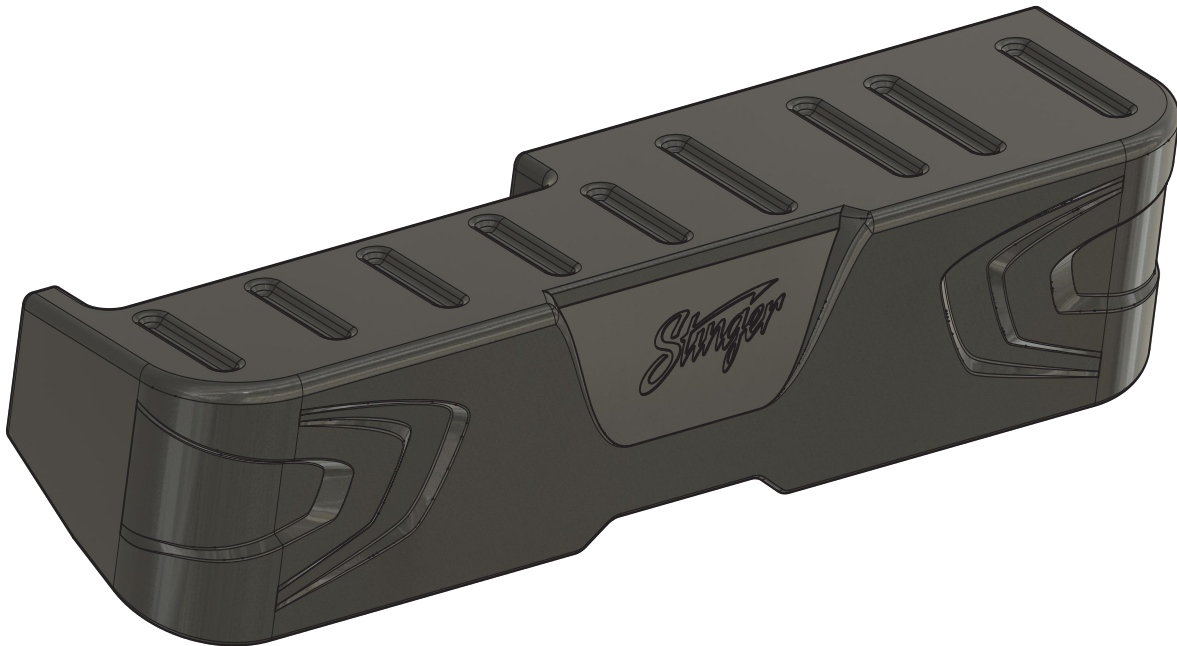
TXGM19D10

Dual 10" Under Seat Subwoofer Enclosure

For GM Chevrolet Crew Cab Trucks

2019+ Sierra / Silverado 1500

2020+ Sierra / Silverado 2500 / 3500



INSTALLATION GUIDE

NOTE! Read this installation guide thoroughly before disassembling or modifying the vehicle. Installation of this product requires technical skill, experience and specialized tools. If in doubt, it's recommended to have it professionally installed by an authorized Stinger or AudioControl Dealer.

A video installation guide is available at:

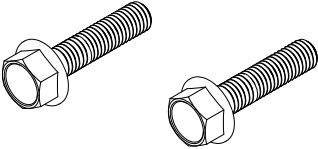
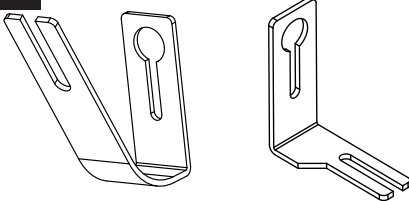
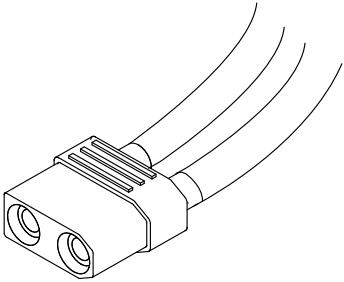



INSTALLATION NOTES

The TXGM19D10 is designed to mount under the rear seat of GM Crew Cab Trucks.

- Some installation steps are more easily completed with a second person.
- Speaker wire is required.
- Final enclosure impedance: 2ohms.
- Recommended amplifier rating: 600-1,400 watts @ 2ohms.

INCLUDED HARDWARE

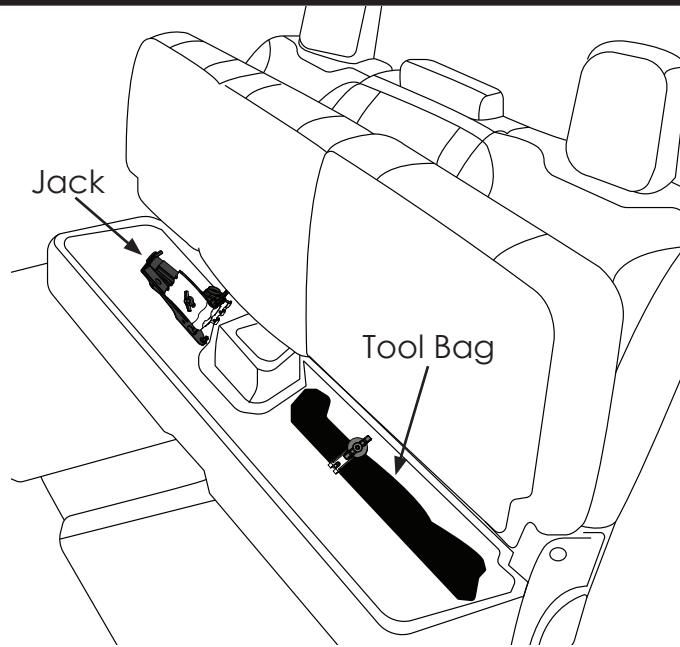
<p>1</p> 	<p>2</p>  <p>D = Driver P = Passenger</p>	<p>3</p> 
<p>M6 FLANGED HEX HEAD BOLT (2) 75mm / 2.95in Length</p>	<p>ENCLOSURE MOUNTING BRACKETS (2)</p>	<p>QUICK-PLUG SPEAKER CONNECTOR (1)</p>
<p>4</p> 		
<p>M8 Nut (1) and a M8 Washer (1) to be used on Step 5 to secure D-bracket</p>		

RECOMMENDED TOOLS

- Ratchet
- 13mm Socket
- 10mm Socket
- 10mm Wrench
- Wire Strippers
- Optional:
- Wire Crimper
- Solder/Solder Gun

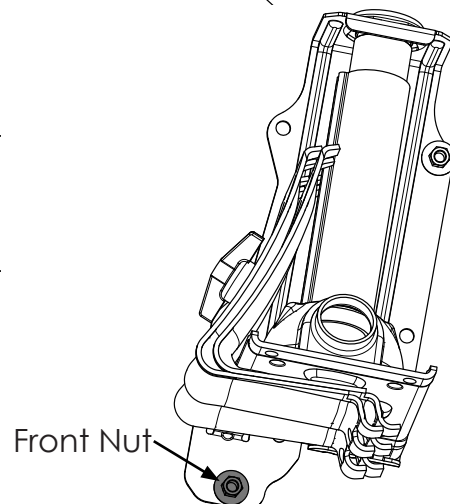
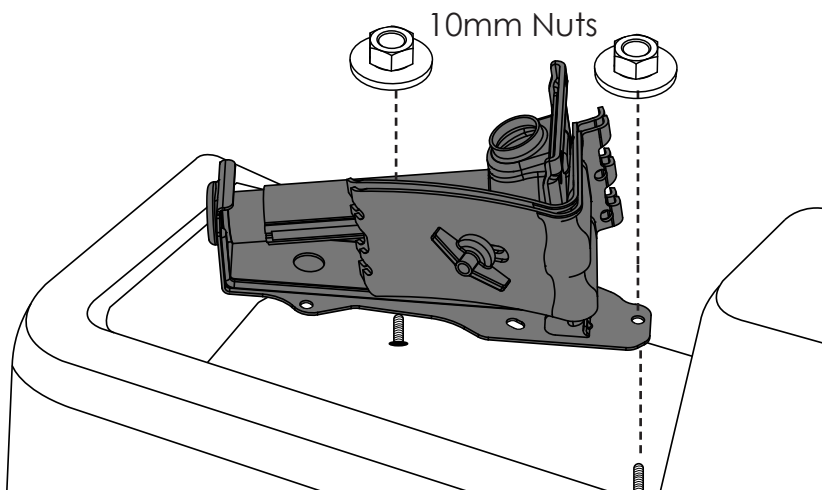
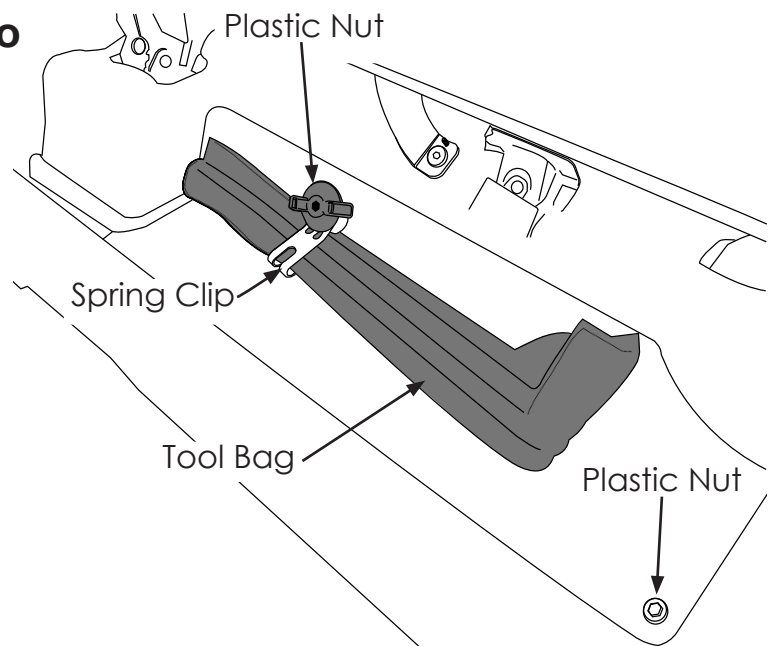
Step 1

Lift up the Rear seat to expose the jack and the tool bag.



Step 2 (Skip this step if there is no storage tray)

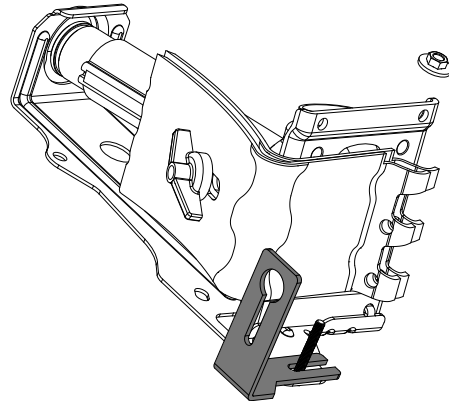
Locate the plastic nut holding the tool bag in place. Remove the plastic nut and keep in a secure location for assembly later. Remove the tool bag and spring clip and set aside. Locate the plastic nut on the front left corner of the storage tray. With a 10mm socket remove the plastic nut. With a 10mm socket, remove the 2 nuts holding the jack in place. Place the 2 nuts in a secure location as they will be needed to remount the jack. Lift straight up and remove the Jack. Remove the storage tray. Reinstall the Jack.



INSTALLATION

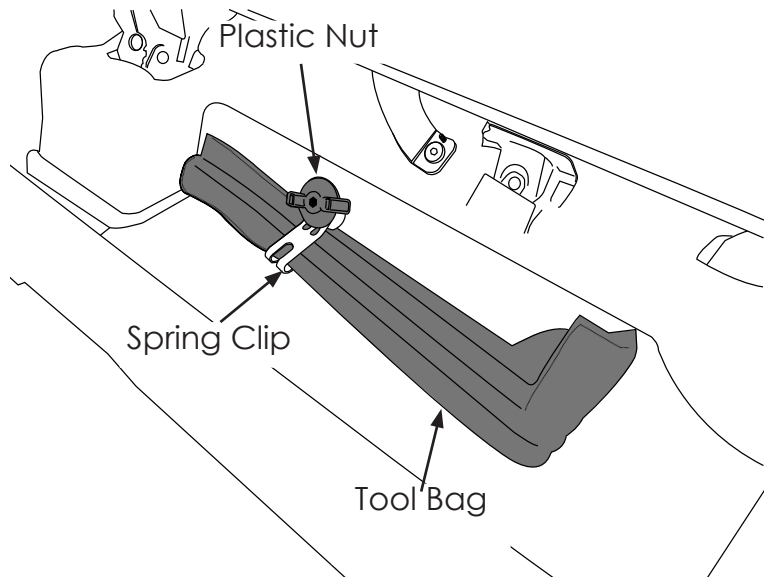
Step 3

Remove the nut located on the front side of the jack using a 10mm socket. Slide the P bracket onto the stud. Attach the nut back onto the stud leaving the P bracket able to slide for assembly later.



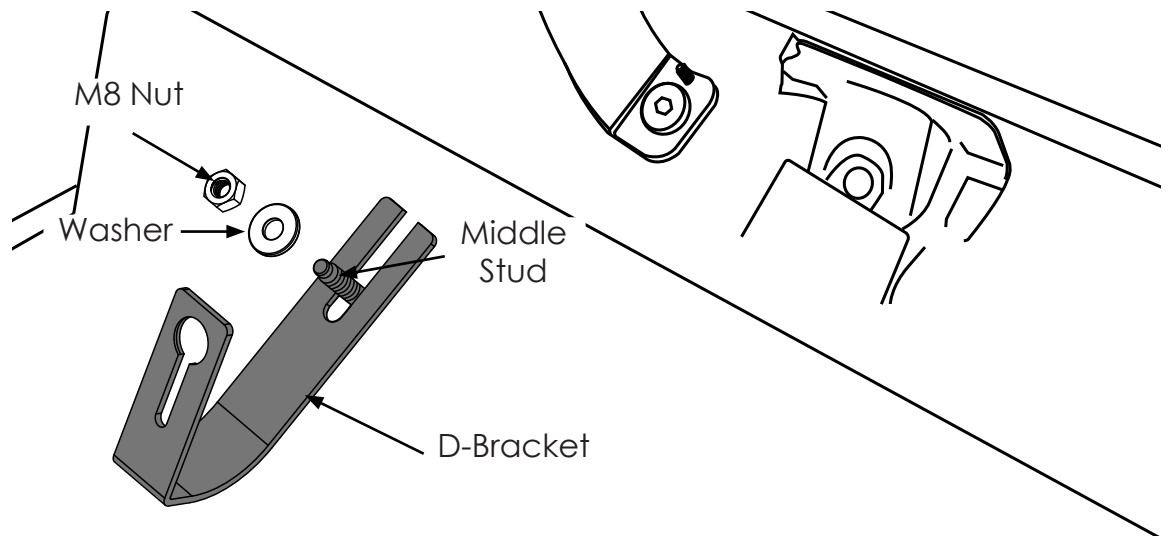
Step 4 (Skip this step if there is a storage tray)

Locate the plastic nut holding the tool bag in place. Remove the plastic nut and keep in a secure location for assembly later. Remove the tool bag and spring clip and set aside.



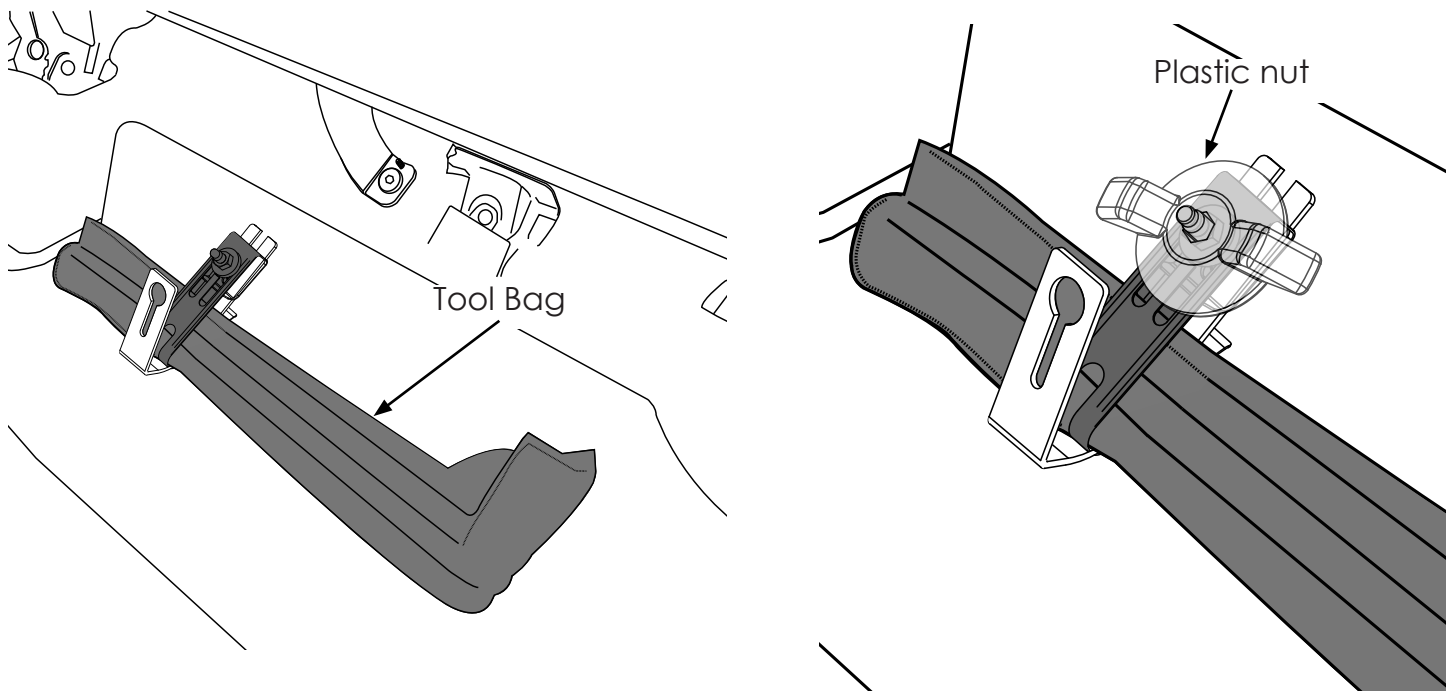
Step 5

Attach the D bracket to the middle stud. Use the supplied M8 nut and washer to mount the bracket. Tighten the nut using a 13mm socket.



Step 6

Reinstall the tool bag with spring clip onto the middle stud, using the plastic nut.



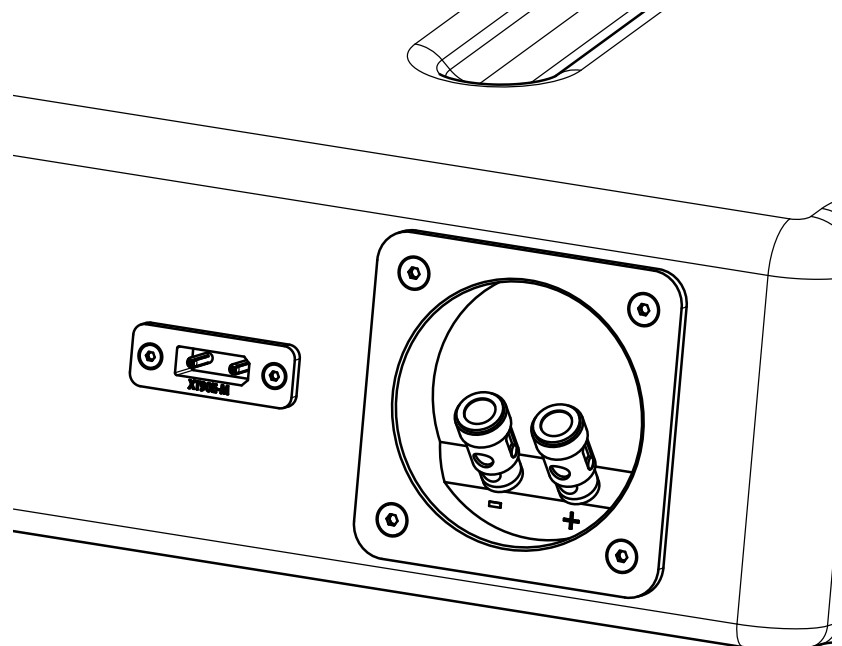
Step 7

Place the speaker enclosure in the vehicle with the rear of the enclosure facing the back seat.

Route speaker wire to the rear of the enclosure and connect using either the Push Terminals or the Quick-Plug connector.

Red = Positive (+)
Black = Negative (-)

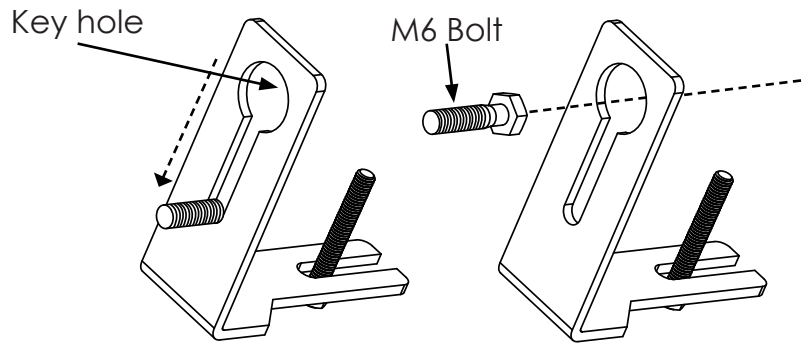
NOTE: Do not connect speaker leads to both of the enclosure connections. Use one or the other.



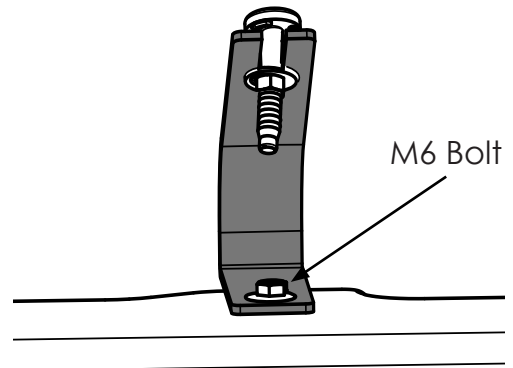
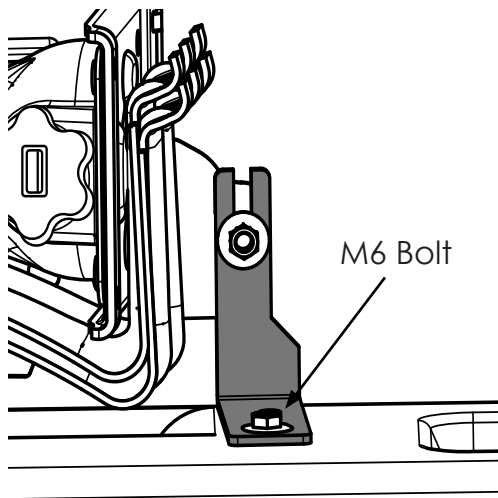
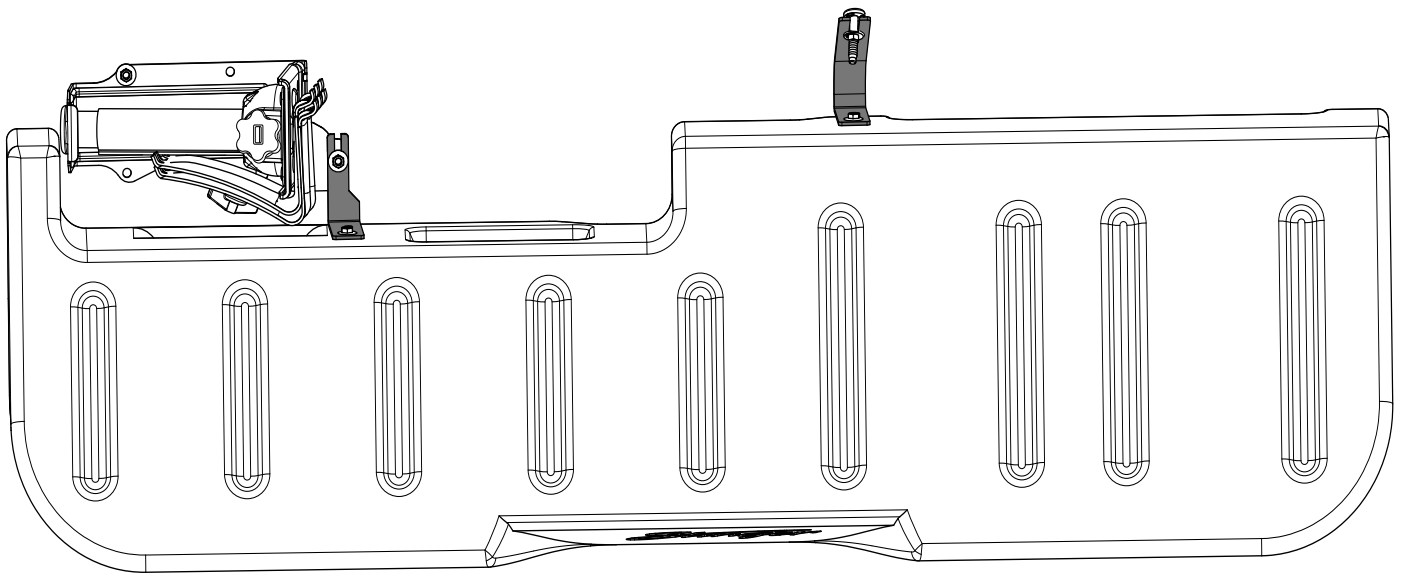
INSTALLATION

Step 8

Install the 2 M6 hex bolts into the back of the enclosure. Slide the enclosure so the 2 bolts line up with the key holes D and P brackets. Once the enclosure is in place, push down on the enclosure. With a 10mm socket, tighten the nut on the front of the jack. With a 10mm socket or wrench tighten the 2 hex bolts on the back of the enclosure.

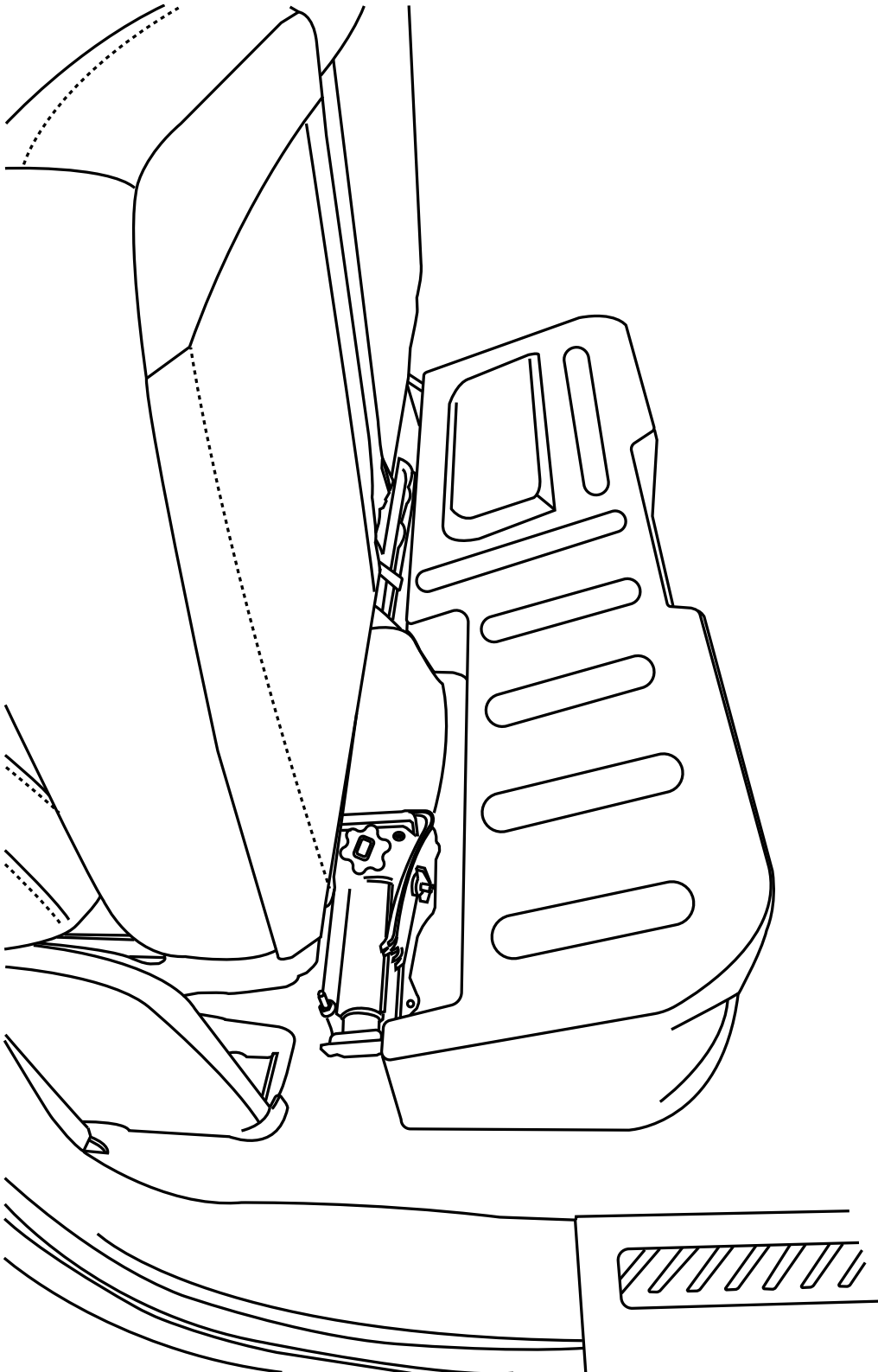


Picture to show key hole and bolt



Step 9

Crank up the volume.



SPECIFICATIONS

Model Number	TXGM19D10
Subwoofer Model	SPK-10S4 (x2)
Subwoofer Size	10"
Enclosure DC Resistance (Re)	2 ohm
Frequency Response	20Hz - 250Hz
RMS Power	Min 600w - Ideal 1000w -Max 1400w
Enclosure Specifications	
Enclosure Tuning	34 Hz
Recommended Subsonic filter setting	26 Hz
Total Weight	58 lbs
Height	10.25 In
Width	52 In
Depth	14.25 In

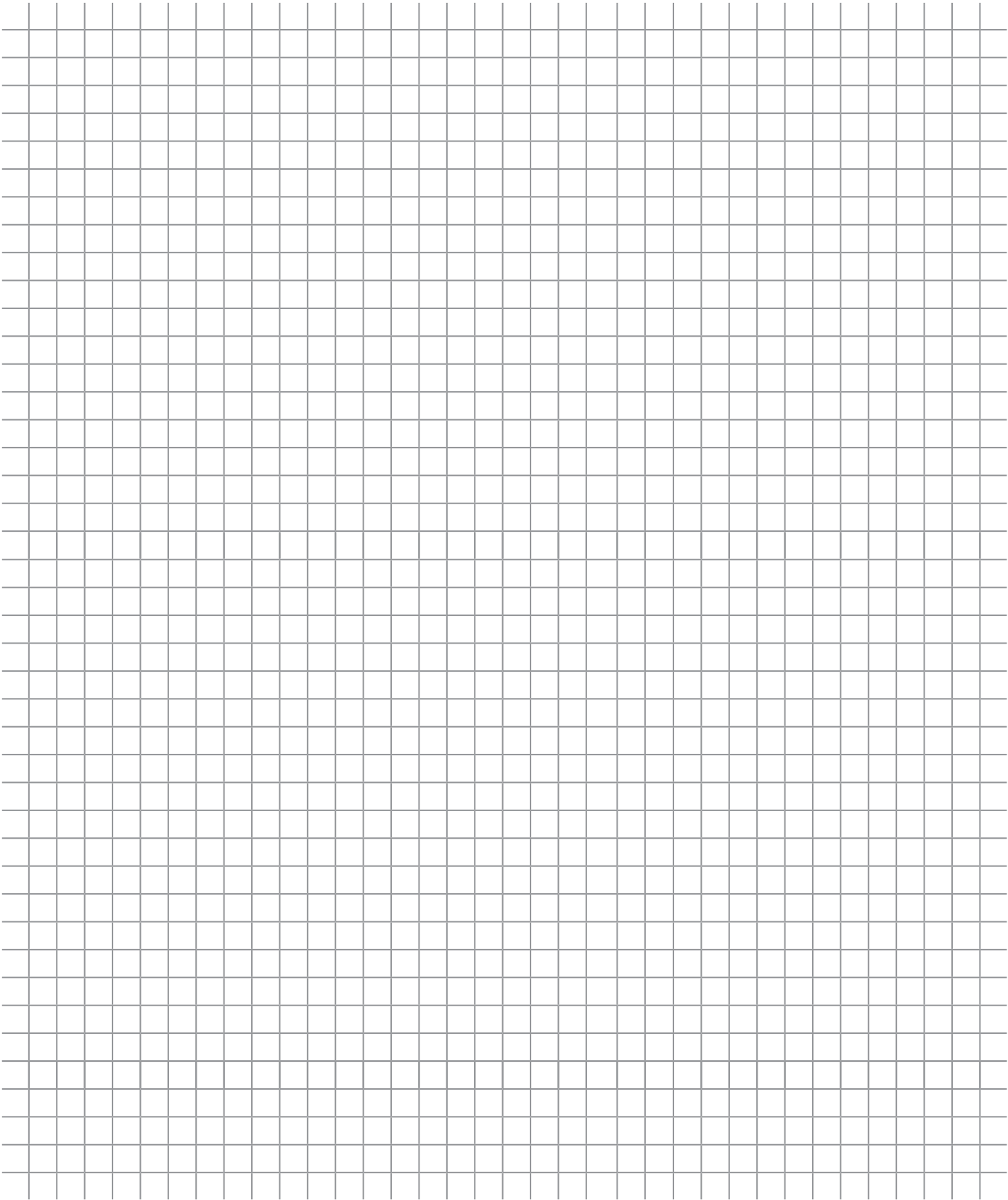
WARRANTY

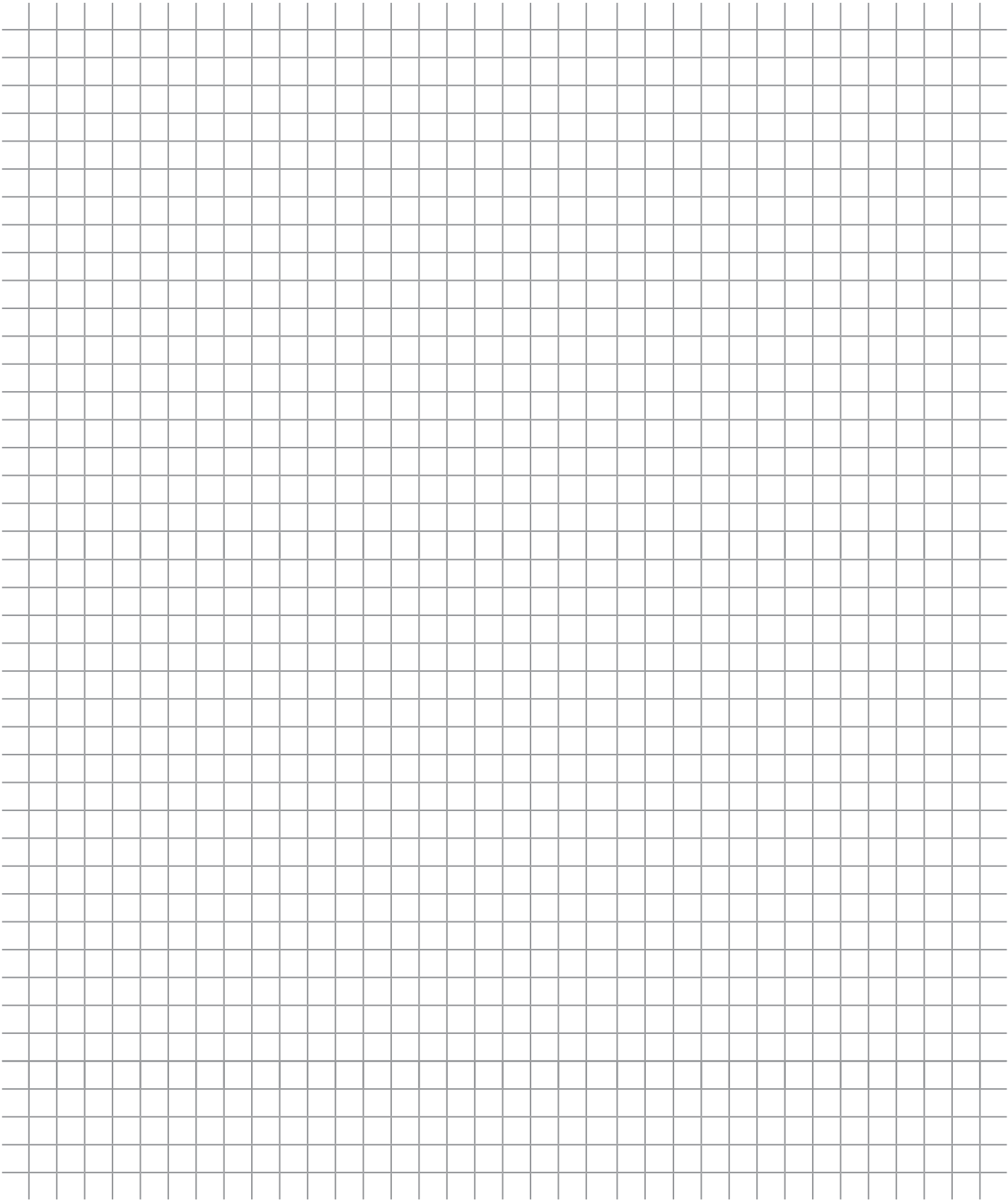
Limited Warranty

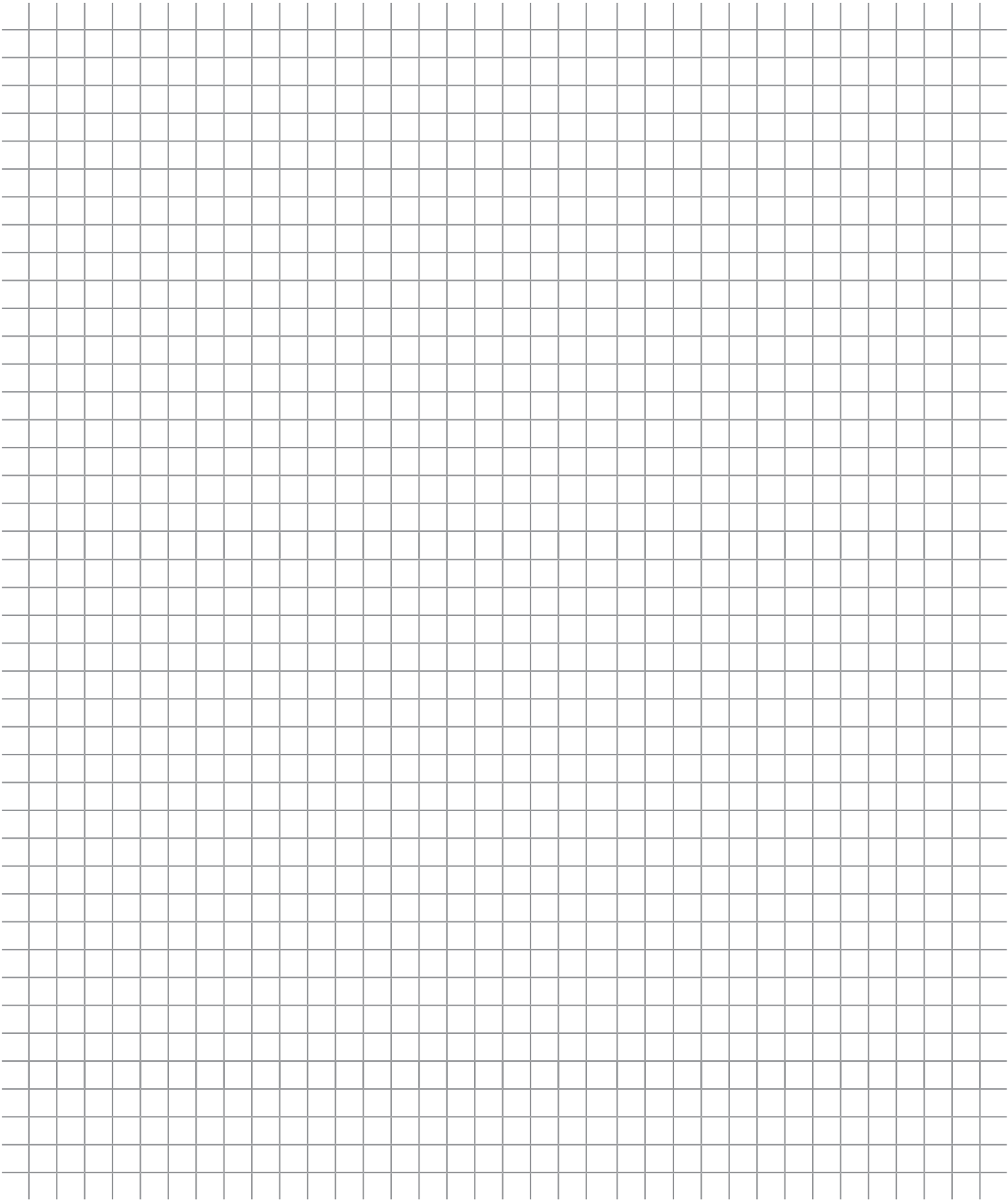
Stinger warrants this product to be free of defects in materials and workmanship for a period of one (1) years from the original date of purchase. This warranty is not transferable and applies only to the original purchaser from an authorized Stinger dealer in the United States of America only. Should service be necessary under this warranty for any reason due to manufacturing defect or malfunction, Stinger will (at its discretion), repair or replace the defective product with new or remanufactured product at no charge. Damage caused by the following is not covered under warranty: accident, misuse, abuse, product modification or neglect, failure to follow installation instructions, unauthorized repair attempts, misrepresentations by the seller. This warranty does not cover incidental or consequential damages and does not cover the cost of removing or reinstalling the unit(s). Cosmetic damage due to accident or normal wear and tear is not covered under warranty.

INTERNATIONAL WARRANTIES:

Products purchased outside the United States of America are covered only by that country's Authorized Stinger reseller and not by Stinger. Consumers needing service or warranty information for these products must contact that country's reseller for information.









AudioControl

For more information about this fine product, and for technical questions, additional details of the limited warranty and repair services, please visit www.audiocontrol.com

AudioControl – “a Stinger Company”

15500 Lightwave Drive Suite 202

Clearwater, FL 33760

Mobile audio support:

Phone: 425-777-7723

Email: support@audiocontrolmobile.com

As Technology advances, AudioControl reserves the right to continuously change our specifications.

© 2024 Stinger. All rights reserved. AudioControl is a Stinger

Technical Support

Phone: 727-592-5991

Email: support@stingersolutions.com