



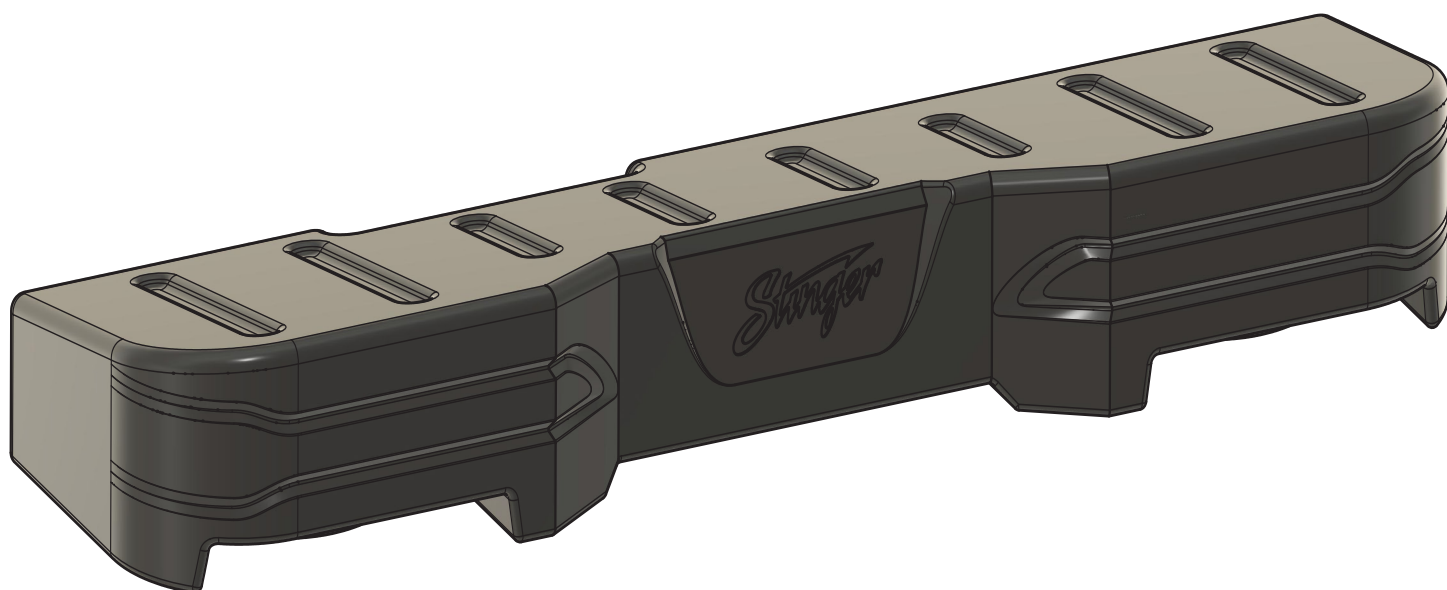
TXGM14D10

Dual 10" Under Seat Subwoofer Enclosure

For GM Chevrolet Crew Cab Trucks

2014-2018 Sierra / Silverado 1500

2014-2019 Sierra / Silverado 2500 / 3500



INSTALLATION GUIDE

NOTE! Read this installation guide thoroughly before disassembling or modifying the vehicle. Installation of this product requires technical skill, experience and specialized tools. If in doubt, it's recommended to have it professionally installed by an authorized Stinger or AudioControl Dealer.

A video installation guide is available at:

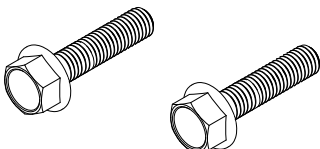
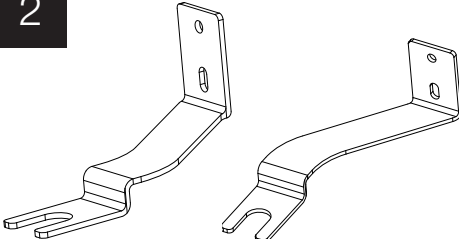
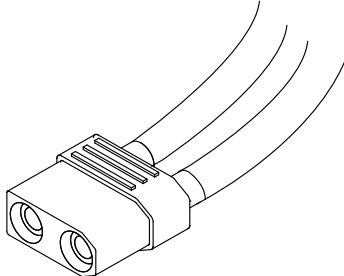


INSTALLATION NOTES

The TXGM14D10 is designed to mount under the rear seat of GM Crew Cab Trucks.

- Some installation steps are more easily completed with a second person.
- Speaker wire is required.
- Final enclosure impedance: 2ohms.
- Recommended amplifier rating: 400-1,200 watts @ 2ohms.

INCLUDED HARDWARE

1 	2  D = Driver P = Passenger	3 
M6 FLANGED HEX HEAD BOLT (4) 75mm / 2.95in Length	ENCLOSURE MOUNTING BRACKETS (2)	QUICK-PLUG SPEAKER CONNECTOR (1)

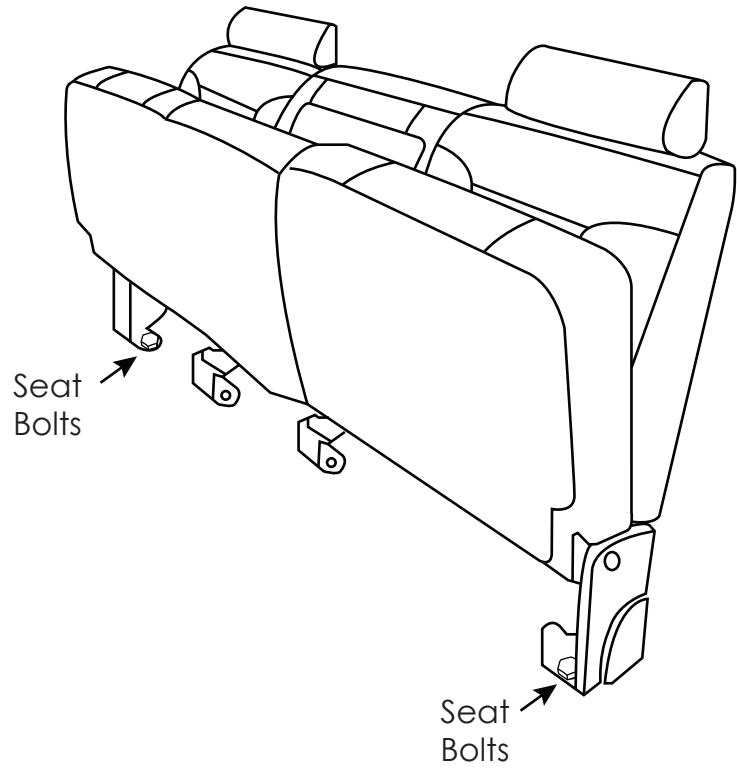
RECOMMENDED TOOLS

Ratchet
18mm Socket
10mm Socket
Wire Strippers

Optional:
Wire Crimper
Solder/Solder Gun

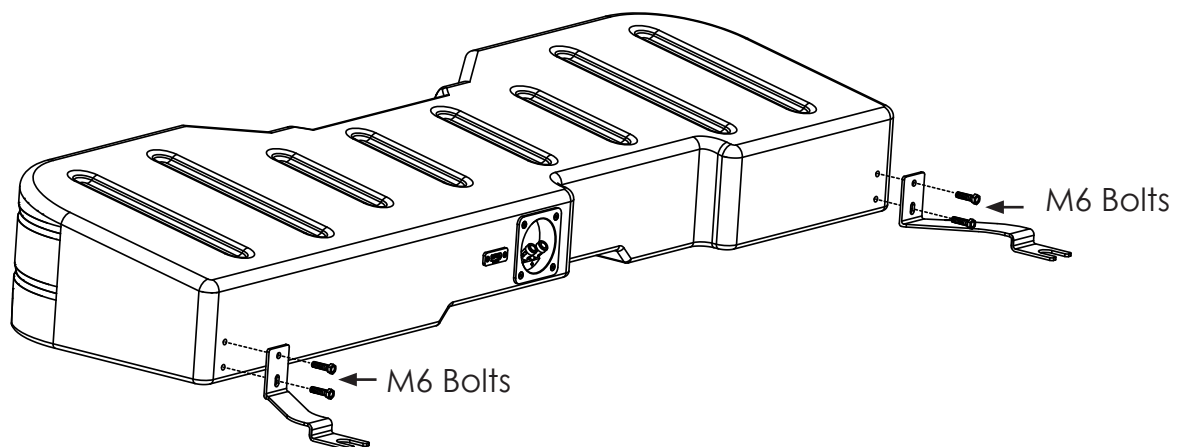
Step 1

Lift up the Rear seat to expose the left and right seat mounting bolts. Use a 18mm socket to loosen the hex bolts enough to allow the brackets to slide under the seat brackets.



Step 2

Attach the Driver and Passenger Enclosure mounting brackets to the back of the enclosure with the 4 supplied M6 Flanged Hex Bolts.



INSTALLATION

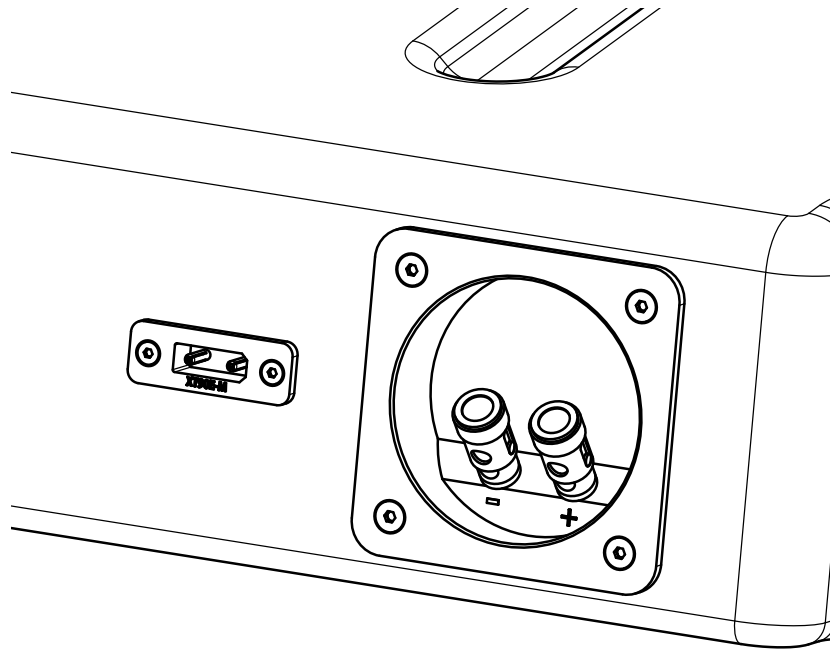
Step 3

Place the speaker enclosure in the vehicle with the rear of the enclosure facing the back seat.

Route speaker wire to the rear of the enclosure and connect using either the Push Terminals or the Quick-Plug connector.

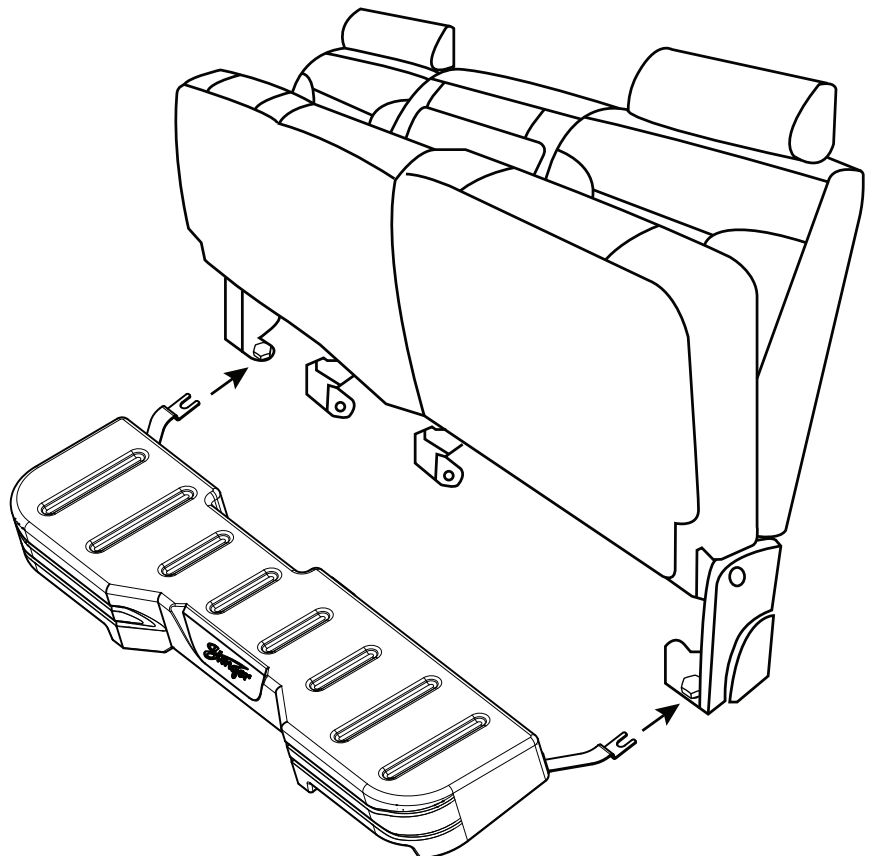
Red = Positive (+)
Black = Negative (-)

NOTE: Do not connect speaker leads to both of the enclosure connections. Use one or the other.



Step 4

Slide the enclosure brackets under the left and right front seat bolts. Once the enclosure is in place, tighten the 2 seat bolts with a 18mm socket.



SPECIFICATIONS

Model Number	TXGM14D10
Subwoofer Model	SPC-10S4 (x2)
Subwoofer Size	10"
Enclosure DC Resistance (Re)	2 ohm
Frequency Response	20Hz - 250Hz
RMS Power	Min 400w - Ideal 800w -Max 1200w
Enclosure Specifications	
Total Weight	45.6 lbs
Height	7.14 In
Width	51.18 In
Depth	13.55 In

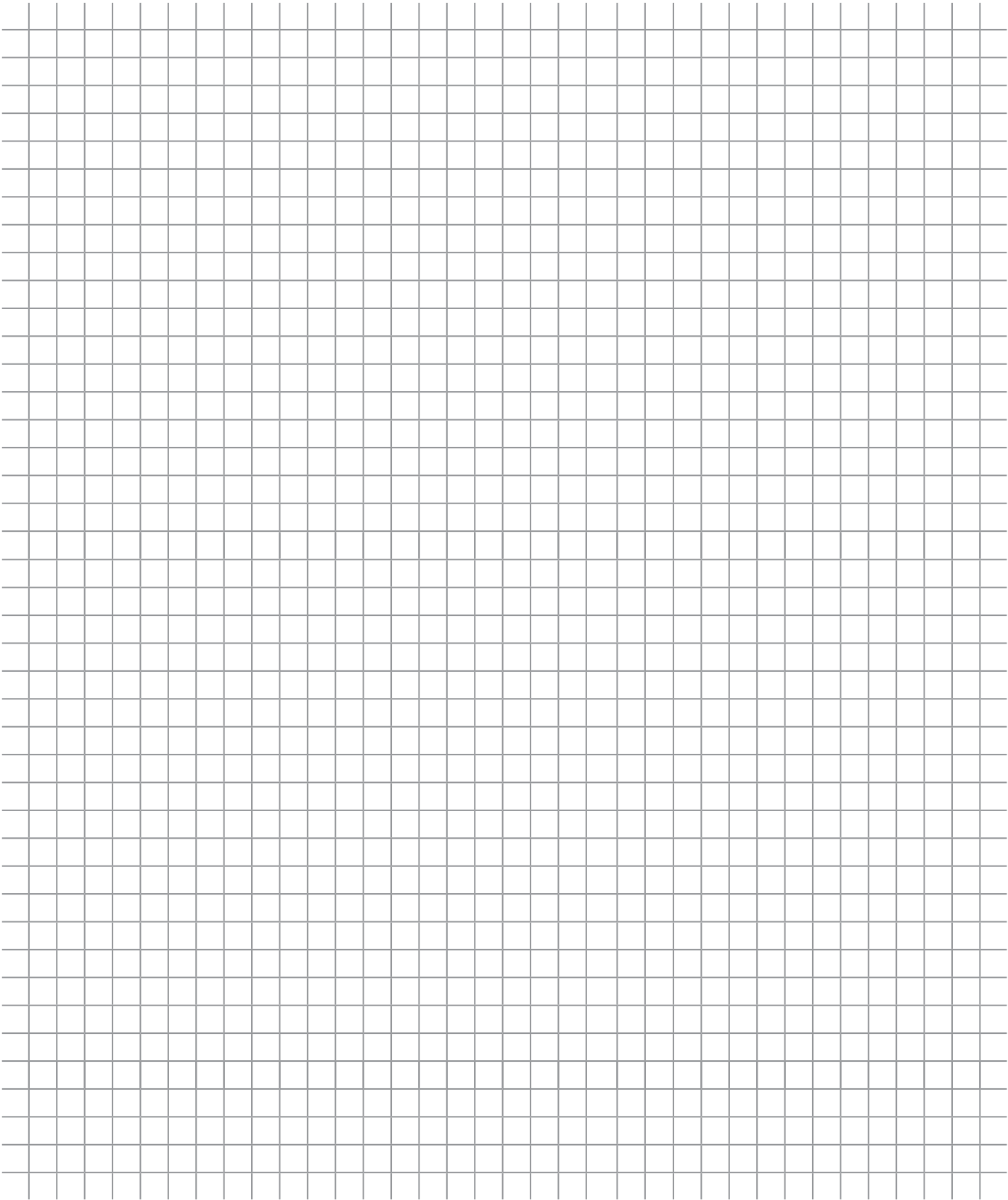
WARRANTY

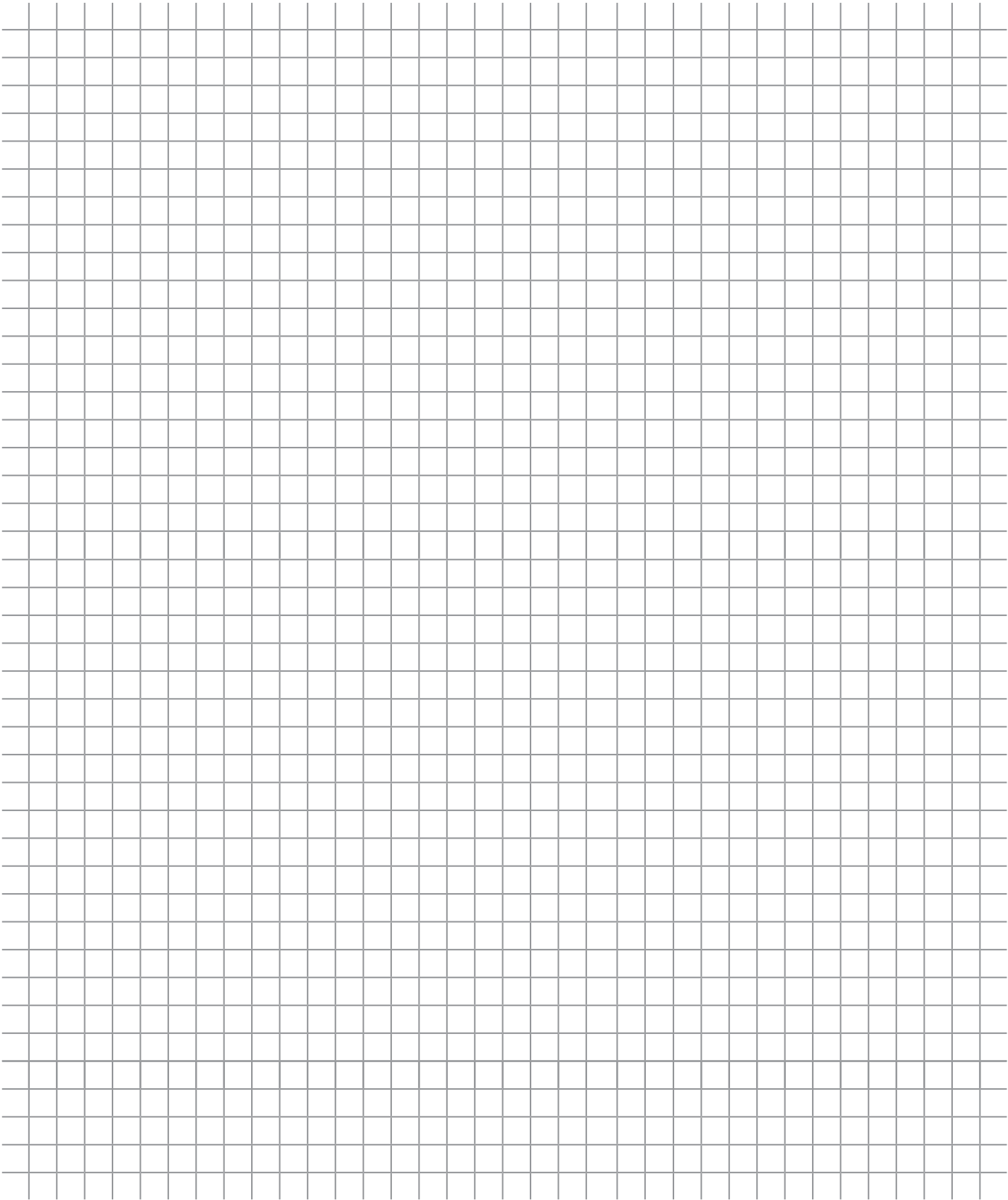
Limited Warranty

Stinger warrants this product to be free of defects in materials and workmanship for a period of one (1) years from the original date of purchase. This warranty is not transferable and applies only to the original purchaser from an authorized Stinger dealer in the United States of America only. Should service be necessary under this warranty for any reason due to manufacturing defect or malfunction, Stinger will (at its discretion), repair or replace the defective product with new or remanufactured product at no charge. Damage caused by the following is not covered under warranty: accident, misuse, abuse, product modification or neglect, failure to follow installation instructions, unauthorized repair attempts, misrepresentations by the seller. This warranty does not cover incidental or consequential damages and does not cover the cost of removing or reinstalling the unit(s). Cosmetic damage due to accident or normal wear and tear is not covered under warranty.

INTERNATIONAL WARRANTIES:

Products purchased outside the United States of America are covered only by that country's Authorized Stinger reseller and not by Stinger. Consumers needing service or warranty information for these products must contact that country's reseller for information.







AudioControl

For more information about this fine product, and for technical questions, additional details of the limited warranty and repair services, please visit www.audiocontrol.com

AudioControl – “a Stinger Company”

15500 Lightwave Drive Suite 202

Clearwater, FL 33760

Mobile audio support:

Phone: 425-777-7723

Email: support@audiocontrolmobile.com

As Technology advances, AudioControl reserves the right to continuously change our specifications.

© 2024 Stinger. All rights reserved. AudioControl is a Stinger

Technical Support

Phone: 727-592-5991

Email: support@stingersolutions.com