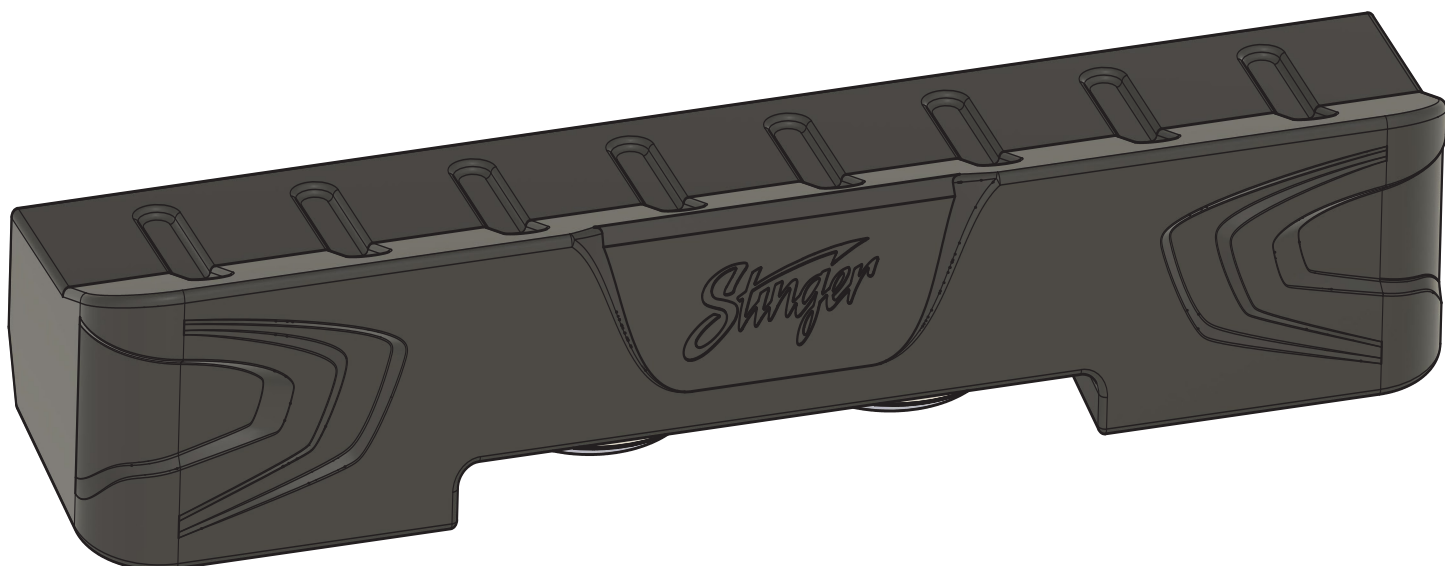




TXFF15D10

Dual 10" Under Seat Subwoofer Enclosure

For FORD Trucks
2015+ F-150 Super Crew
2017+ F-250 / F-350 Super Duty Crew Cab



INSTALLATION GUIDE

NOTE! Read this installation guide thoroughly before disassembling or modifying the vehicle. Installation of this product requires technical skill, experience and specialized tools. If in doubt, it's recommended to have it professionally installed by an authorized Stinger or AudioControl Dealer.

A video installation guide is available at:

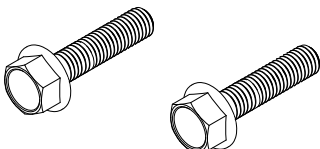
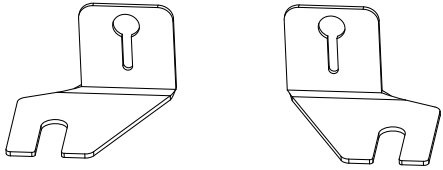
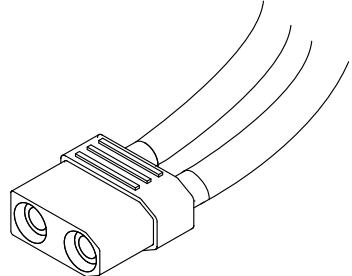


INSTALLATION NOTES

The TXFF15D10 is designed to mount under the rear seat of FORD Super Crew Trucks

- Some installation steps are more easily completed with a second person.
- Speaker wire is required.
- Final enclosure impedance: 2ohms.
- Recommended amplifier rating: 400-1,200 watts @ 2ohms.

INCLUDED HARDWARE

<p>1</p> 	<p>2</p>  <p>D = Driver P = Passenger</p>	<p>3</p> 
<p>M6 FLANGED HEX HEAD BOLT (2) 75mm / 2.95in Length</p>	<p>ENCLOSURE MOUNTING BRACKETS (2)</p>	<p>QUICK-PLUG SPEAKER CONNECTOR (1)</p>

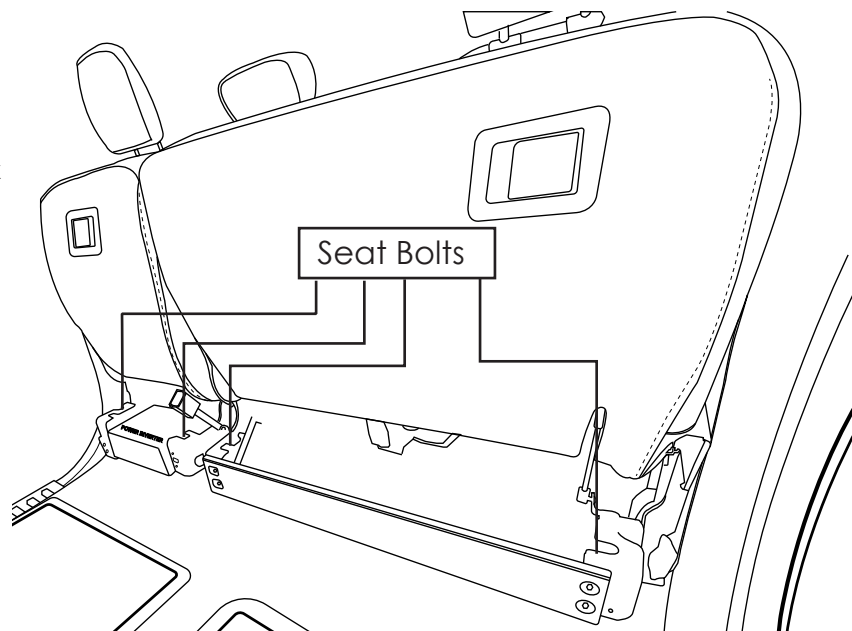
RECOMMENDED TOOLS

Ratchet
 13mm Socket
 10mm Wrench
 Wire Strippers

Optional:
 Wire Crimper
 Solder/Solder Gun

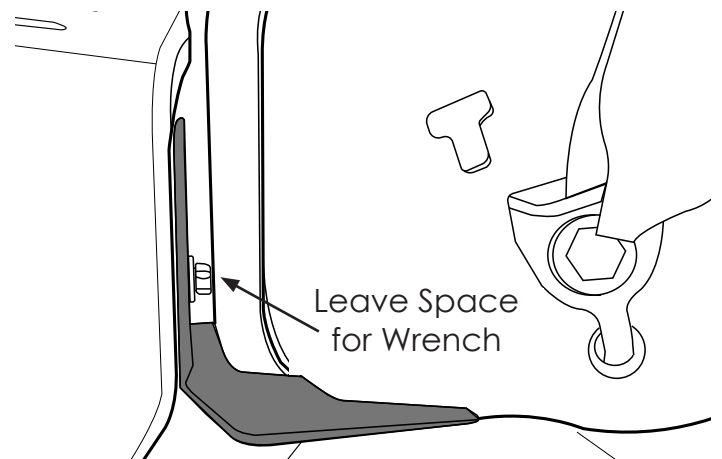
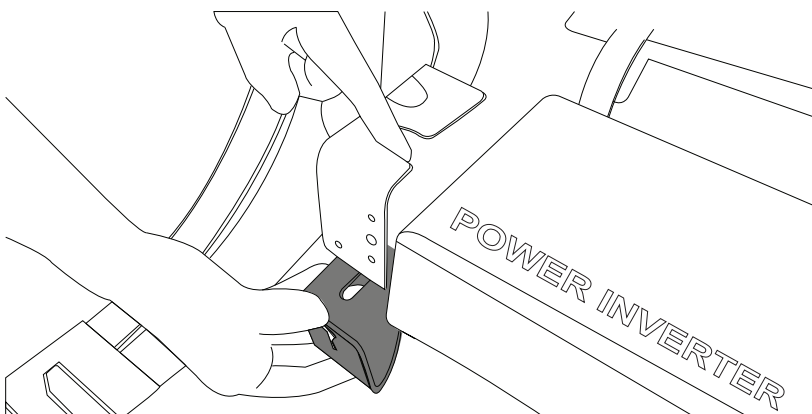
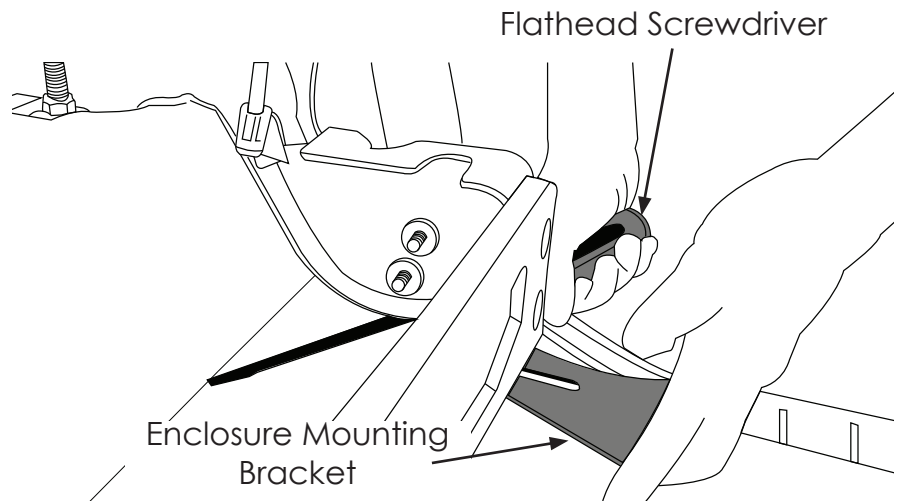
Step 1

Lift up the Rear seat to expose the 4 front seat mounting bolts. Use a 13mm socket to loosen the 4 hex bolts enough to allow the brackets to slide under the seat brackets.



Step 2

Use a large flathead screw driver and slide it under the seat frame. Take the driver side enclosure mounting bracket and slide under the seat bracket. Push the bracket toward the back of the vehicle, leaving enough space to allow a wrench to fit between the space. Follow the same instructions above for installing the passenger side enclosure mounting bracket. Once both brackets are installed, tighten the 4 13mm Hex bolts.



INSTALLATION

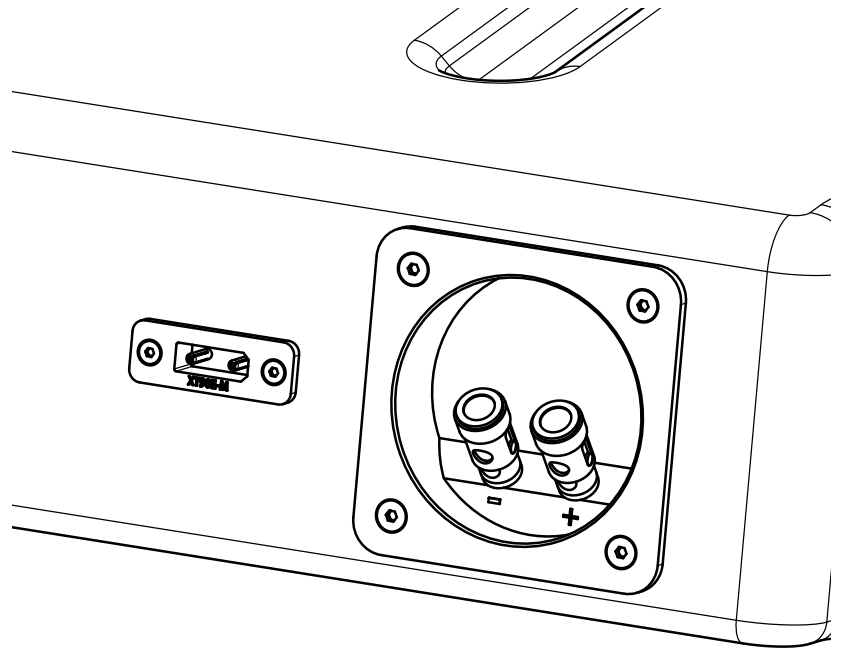
Step 3

Place the speaker enclosure in the vehicle with the rear of the enclosure facing the back seat.

Route speaker wire to the rear of the enclosure and connect using either the Push Terminals or the Quick-Plug connector.

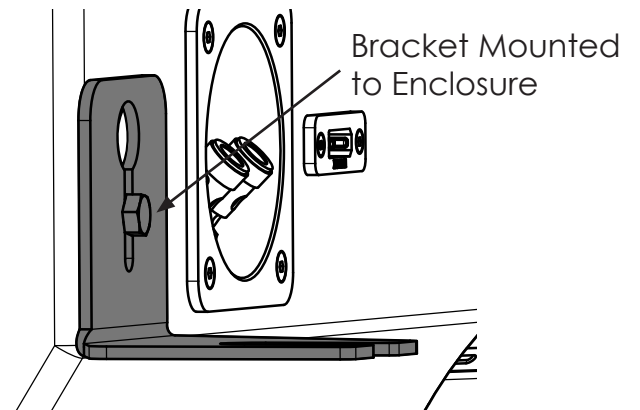
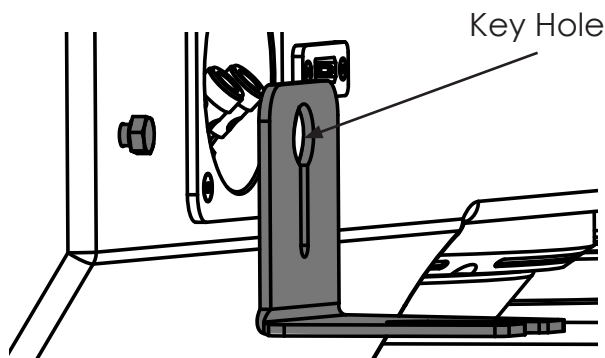
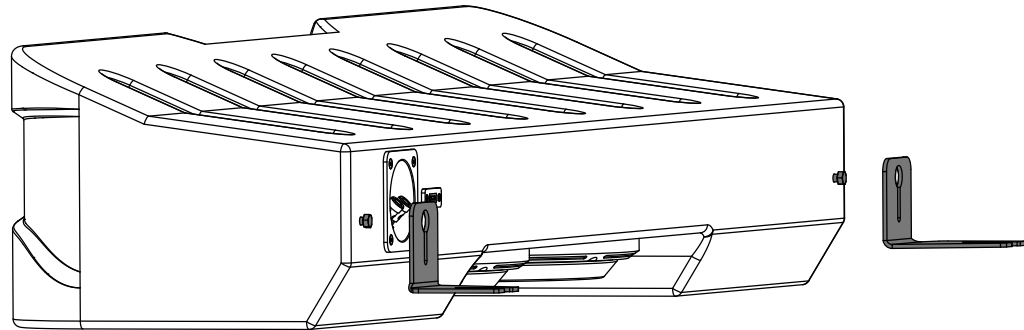
Red = Positive (+)
Black = Negative (-)

NOTE: Do not connect speaker leads to both of the enclosure connections. Use one or the other.



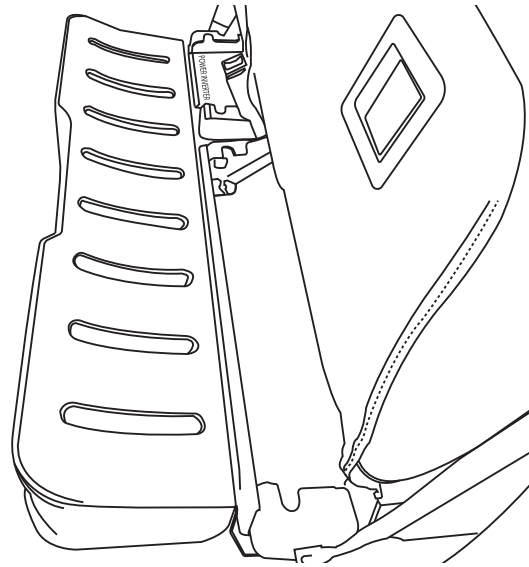
Step 4

Slide the enclosure into the brackets. Align both bolts on the enclosure to slide into the larger key hole opening. Once both bolts are aligned properly push down on the enclosure to lock it in place. Tighten both bolts on the back of the enclosure with a 10mm wrench.



Step 5

Crank up the volume.



SPECIFICATIONS

Model Number	TXFF15D10
Subwoofer Model	SPC-10S4 (x2)
Subwoofer Size	10"
Enclosure DC Resistance (Re)	2 ohm
Frequency Response	20Hz - 250Hz
RMS Power	Min 400w - Ideal 800w -Max 1200w
Enclosure Specifications	
Total Weight	49.4 lbs
Height	8.7 In
Width	51 In
Depth	11.75 In

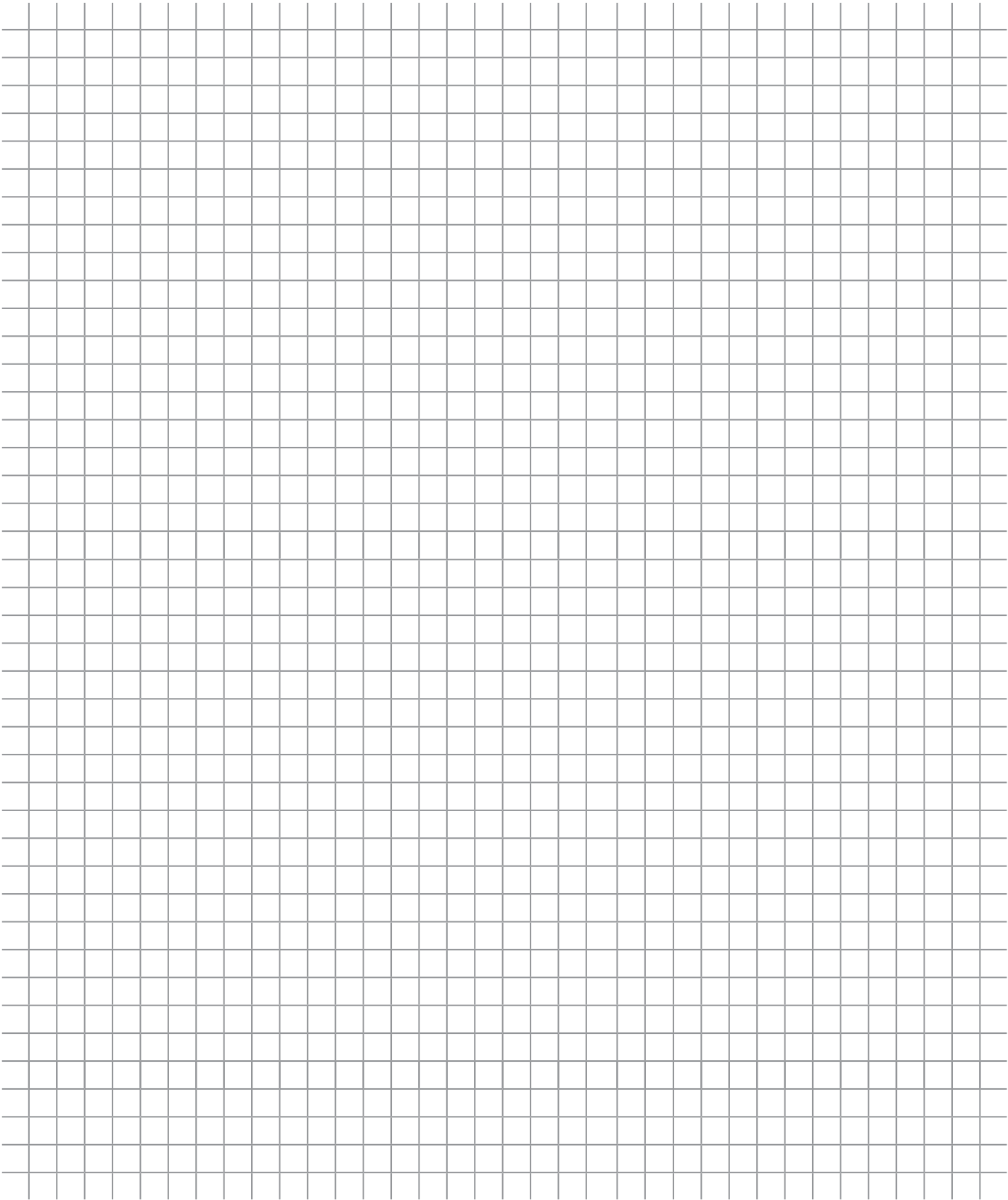
WARRANTY

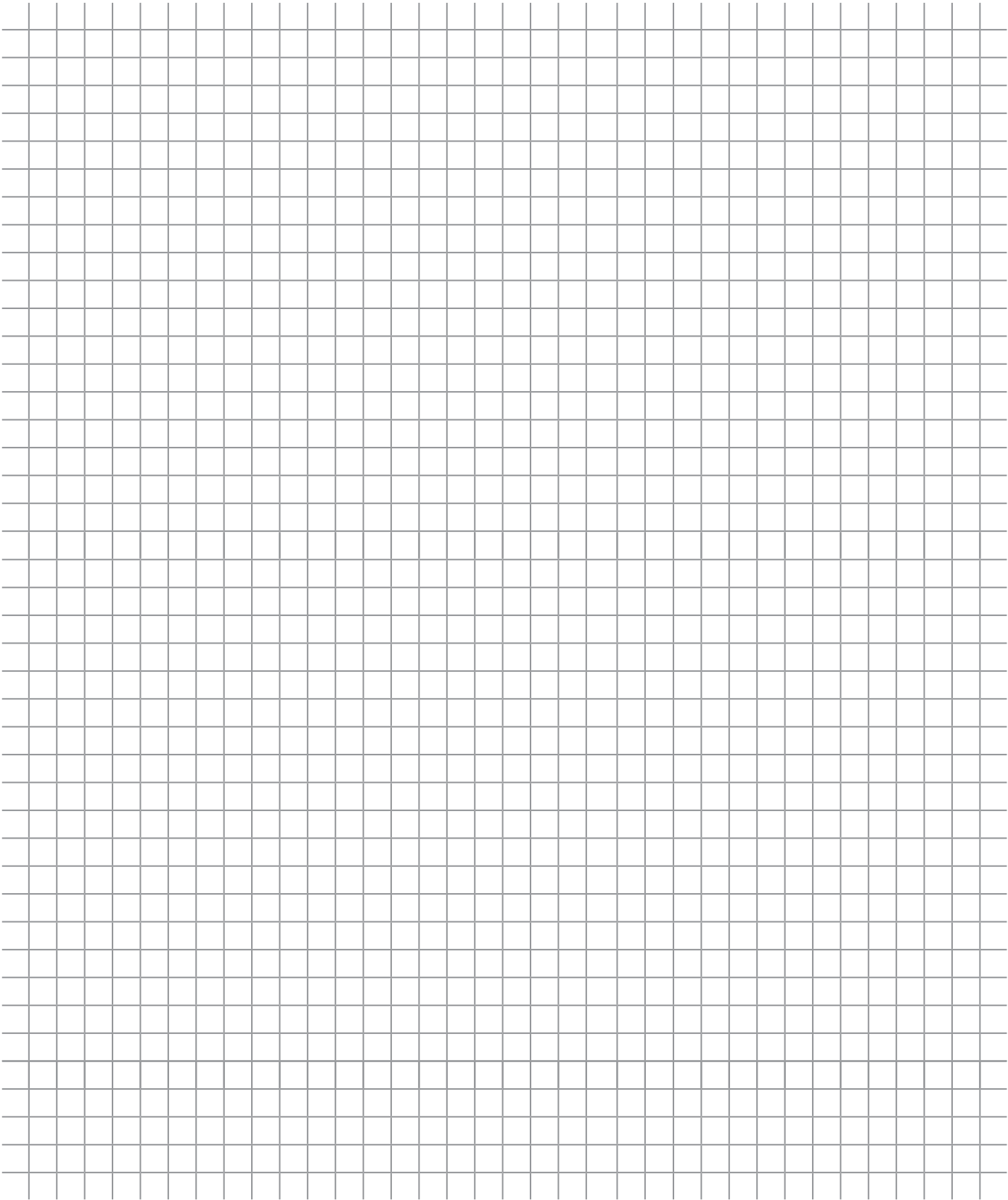
Limited Warranty

Stinger warrants this product to be free of defects in materials and workmanship for a period of one (1) years from the original date of purchase. This warranty is not transferable and applies only to the original purchaser from an authorized Stinger dealer in the United States of America only. Should service be necessary under this warranty for any reason due to manufacturing defect or malfunction, Stinger will (at its discretion), repair or replace the defective product with new or remanufactured product at no charge. Damage caused by the following is not covered under warranty: accident, misuse, abuse, product modification or neglect, failure to follow installation instructions, unauthorized repair attempts, misrepresentations by the seller. This warranty does not cover incidental or consequential damages and does not cover the cost of removing or reinstalling the unit(s). Cosmetic damage due to accident or normal wear and tear is not covered under warranty.

INTERNATIONAL WARRANTIES:

Products purchased outside the United States of America are covered only by that country's Authorized Stinger reseller and not by Stinger. Consumers needing service or warranty information for these products must contact that country's reseller for information.







AudioControl

For more information about this fine product, and for technical questions, additional details of the limited warranty and repair services, please visit www.audiocontrol.com

AudioControl – “a Stinger Company”

15500 Lightwave Drive Suite 202

Clearwater, FL 33760

Mobile audio support:

Phone: 425-777-7723

Email: support@audiocontrolmobile.com

As Technology advances, AudioControl reserves the right to continuously change our specifications.

© 2024 Stinger. All rights reserved. AudioControl is a Stinger

Technical Support

Phone: 727-592-5991

Email: support@stingersolutions.com